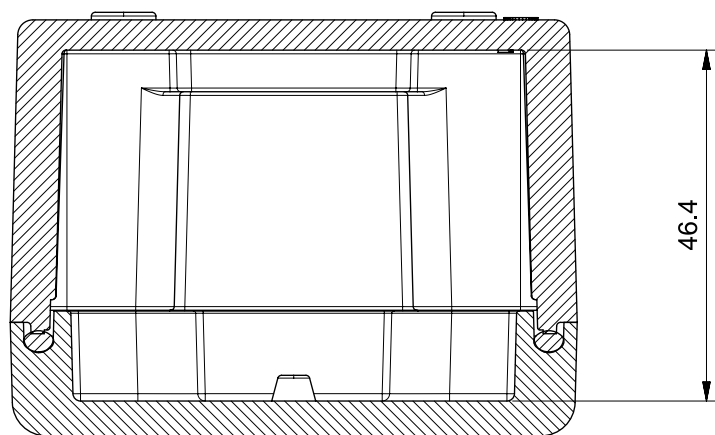
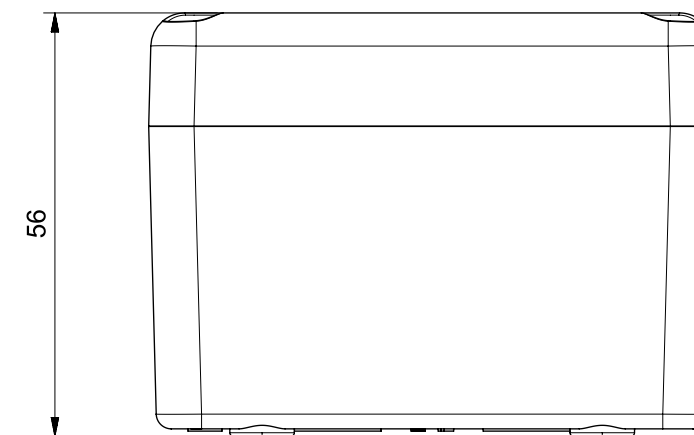
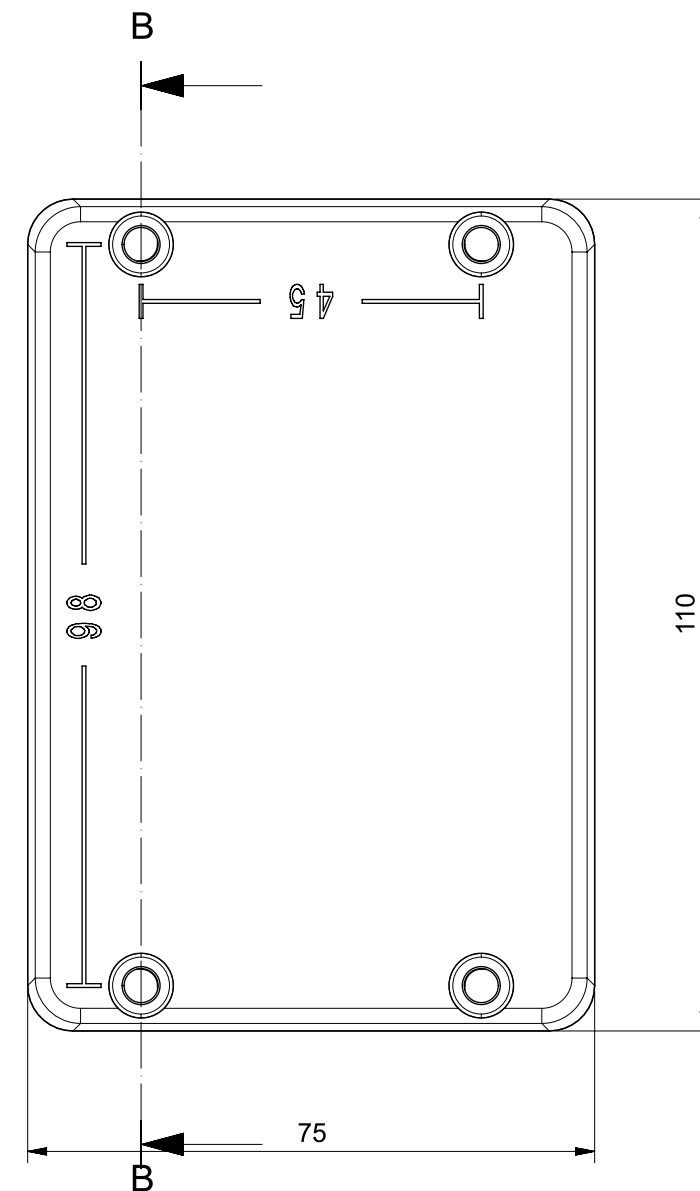
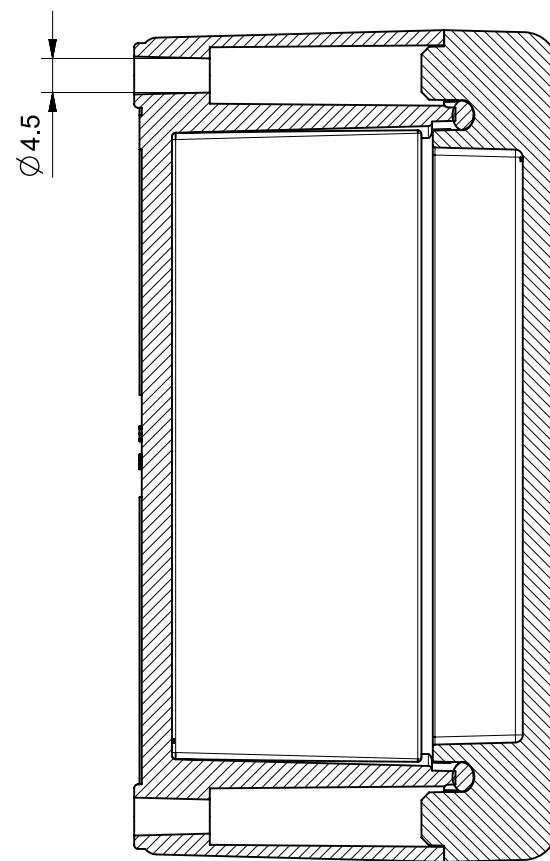


Sezione A-A



Sezione B-B



At the end of the law, we reserve the ownership of this design may not be copied and transfer it to third parties or competitors	Format	A3	Scale	1:1	Mould N°	1000XXXX	Drawn	SCAME	
	Tolerances for linear and angular dimensions without indication of specific tolerances: JS13 / UNI EN20286							Date	
 S.p.A. PARRE - (Bergamo)	DESCRIPTION CONTENITORE EX 110x75x55							Approved	
								CODICE	Sheet 1 / 1
							4001255		