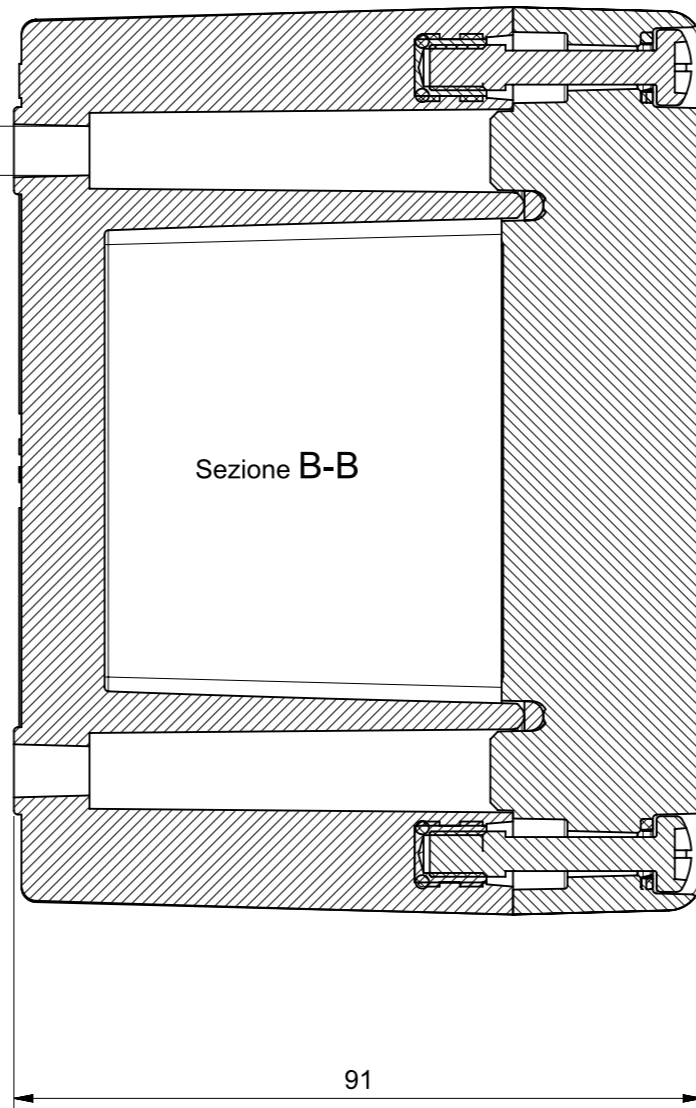


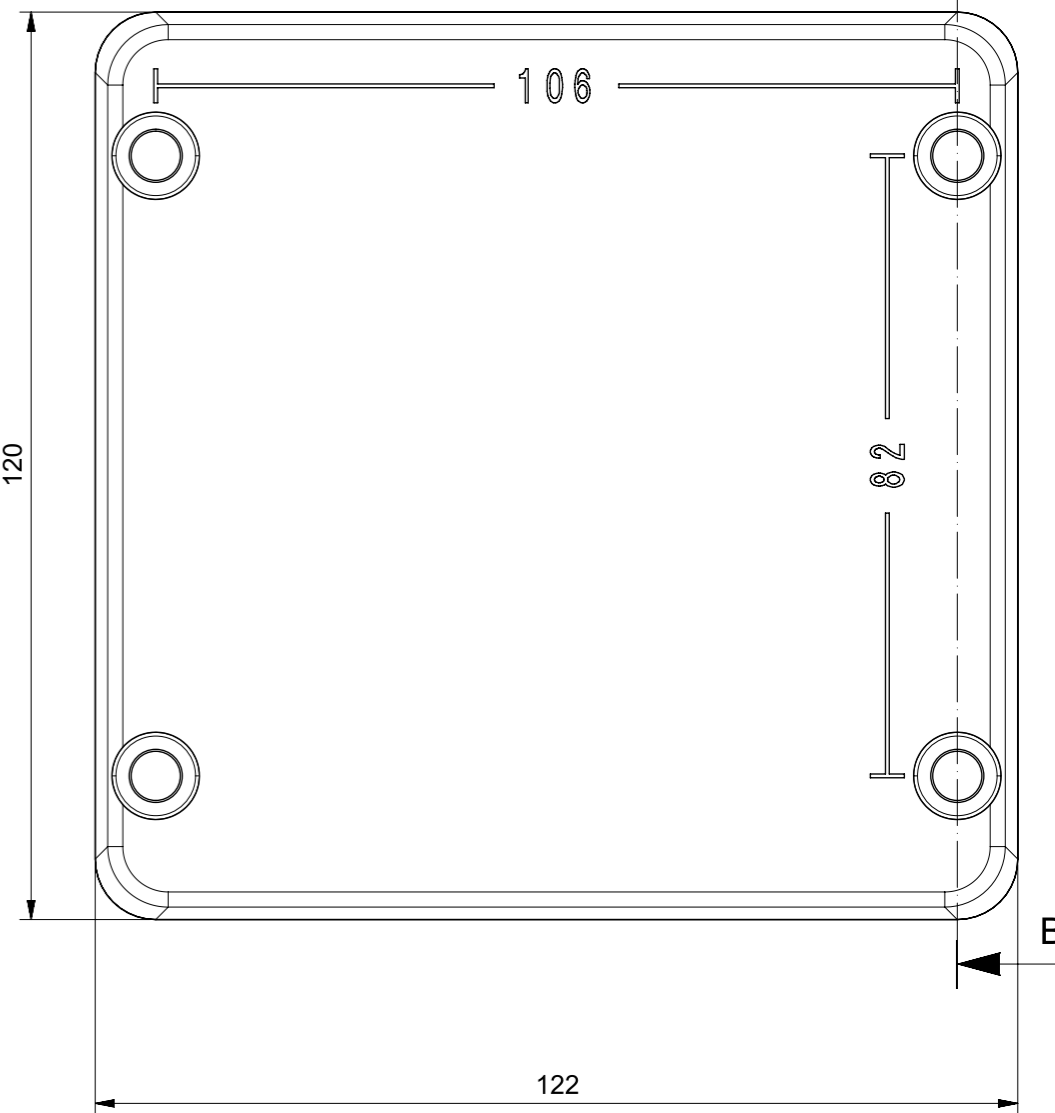
Ø 6.5



Sezione B-B

91

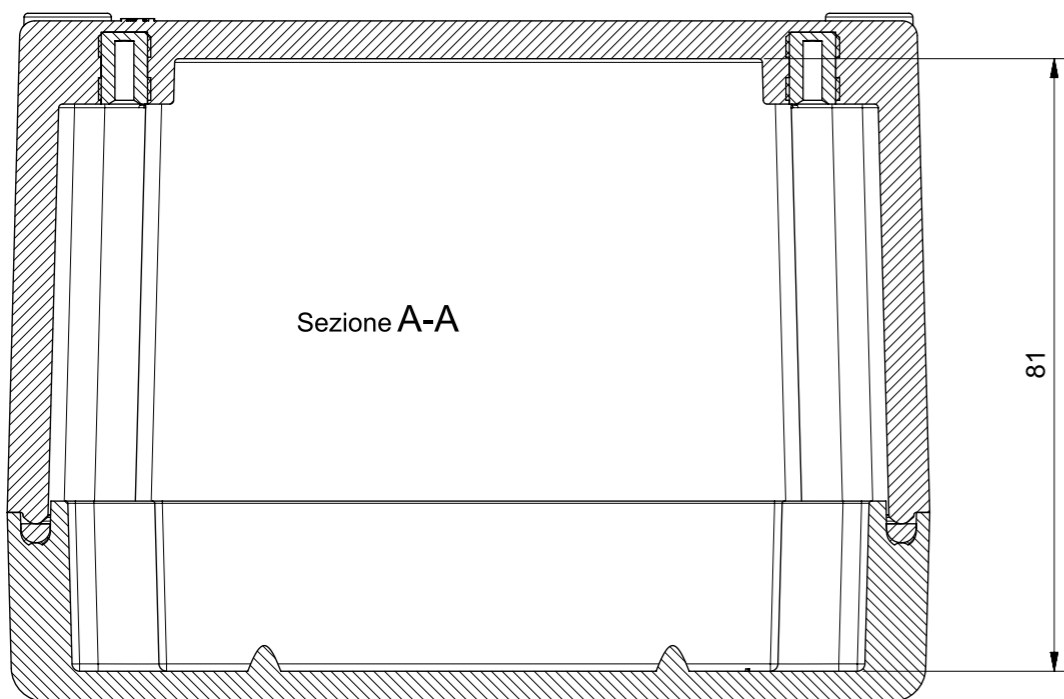
120



106

82

122



Sezione A-A

81

At the end of the law,
we reserve the ownership
of this design may not
be copied and transfer it
to third parties or competitors

Format	A3	Scale	1:1	Mould N°	1000XXXX	Drawn	SCAME
Tolerances for linear and angular dimensions without indication of specific tolerances: JS13 / UNI EN20286						Date	
						Approved	

SCAME
S.p.A.
PARRE - (Bergamo)

DESCRIPTION
CONTENITORE EX 122x120x90



CODICE Sheet 1 / 1
4001269