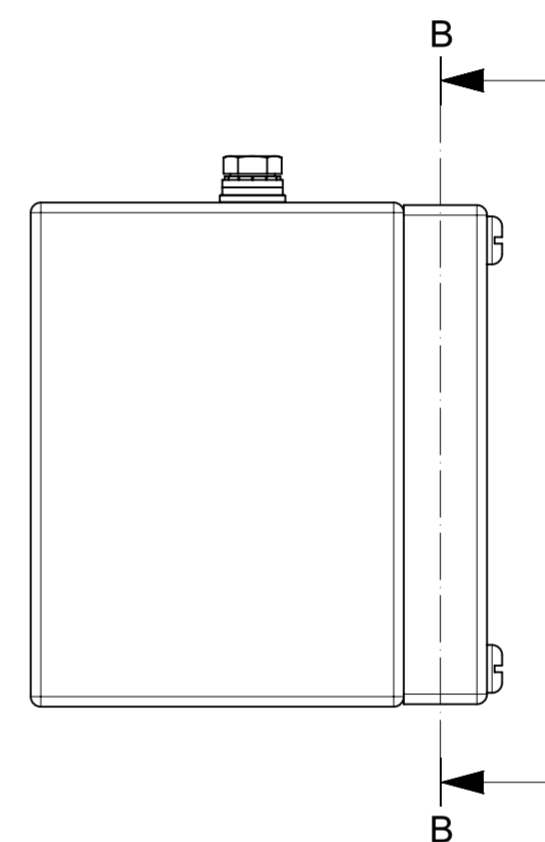
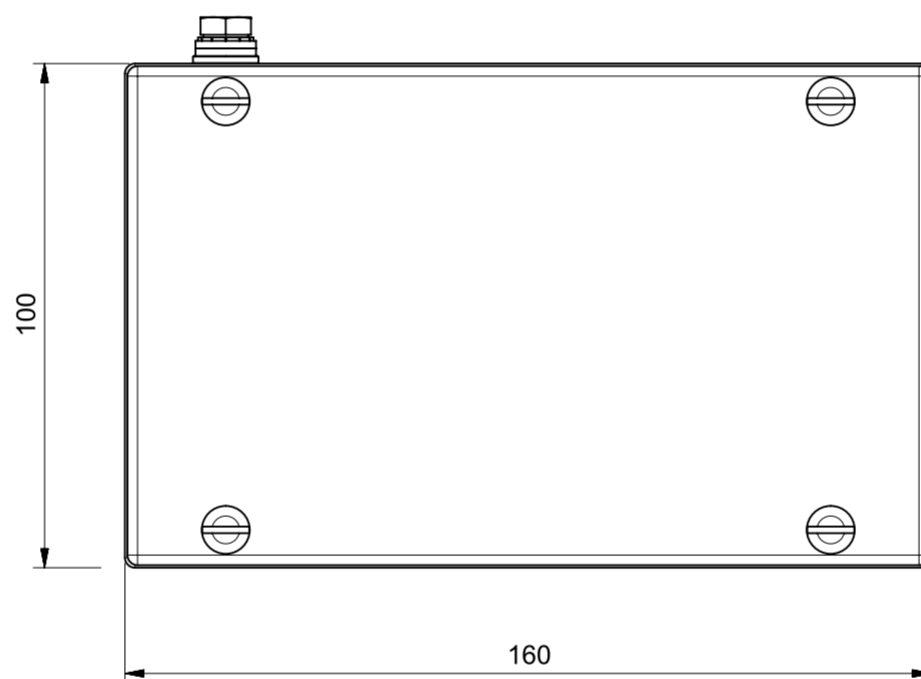
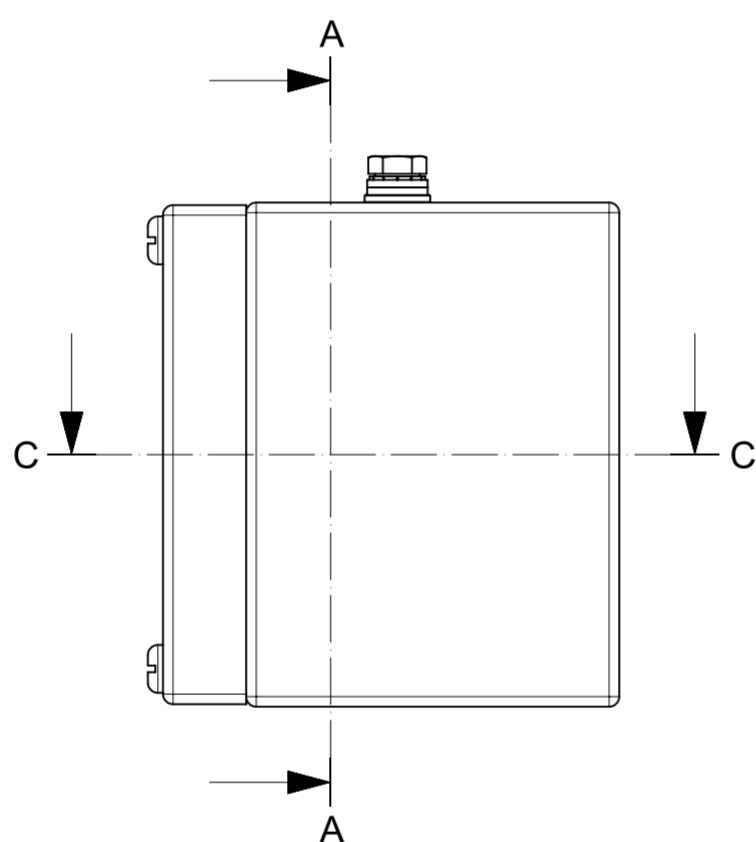
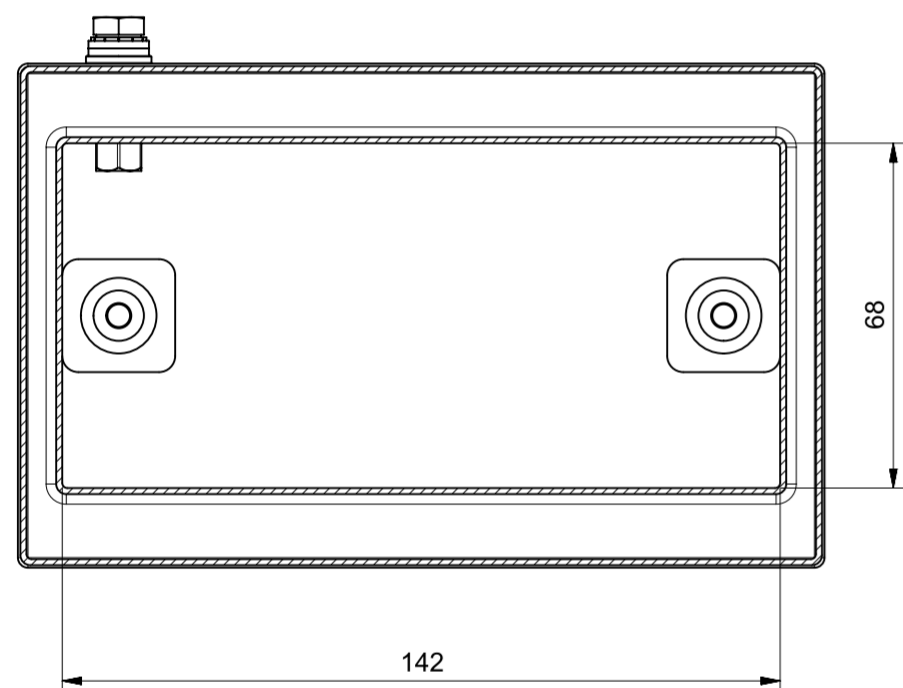
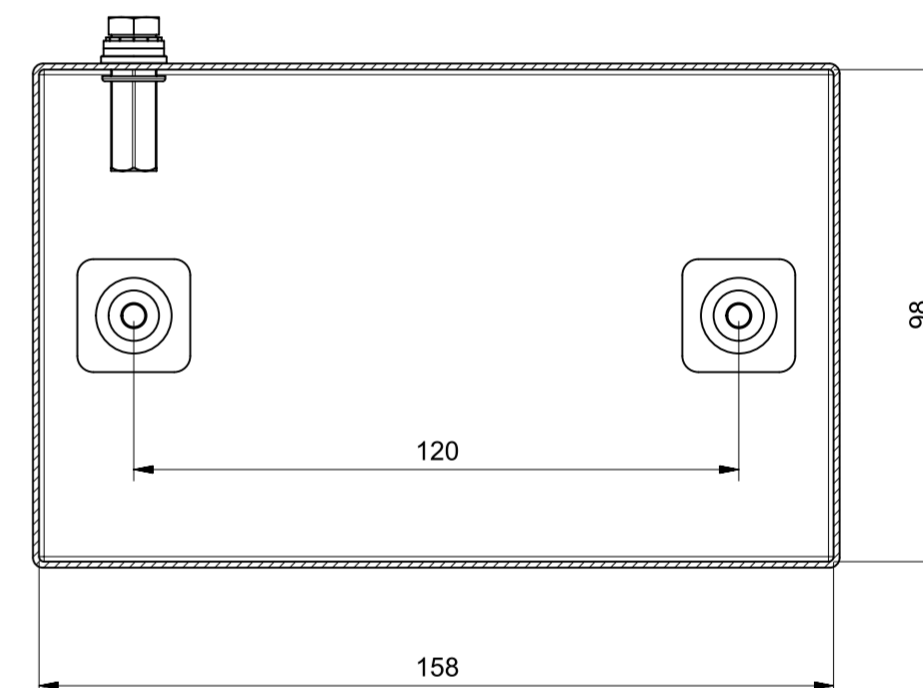


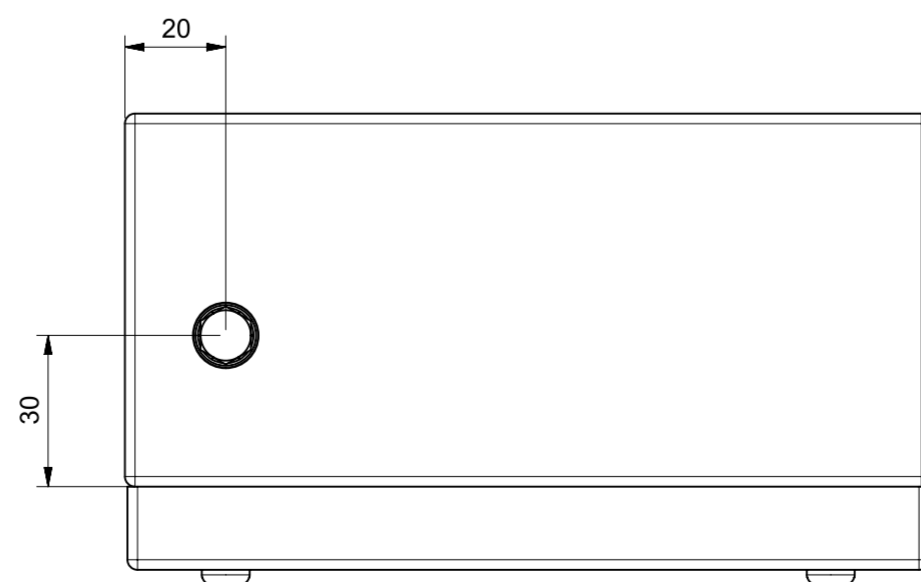
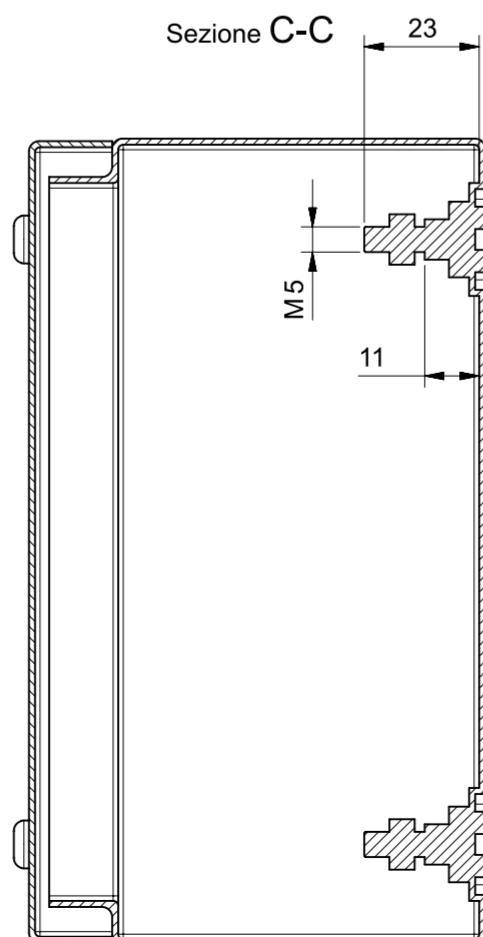
Sezione B-B



Sezione A-A



Sezione C-C



| | | | | | | | | | |
|---|---|----|-------|-------|----------|--|-------|----------------|--|
| Under the terms of the law we reserve the ownership of this design may not be copied and transfer it to third parties or competitors SCAME S.p.A. PARRE - (Bergamo) | Format | A2 | Scale | 1:1.5 | Mould N° | | Drawn | SCAME | |
| | Tolerances for linear and angular dimensions without indication of specific tolerances: JS13 / UNI 286-1:2010 | | | | | | | Date | |
| | DESCRIPTION | | | | | | | Approved | |
| SCATOLA AISI SILICONE 100X160X90 | | | | | | | CODE | Sheet 1 / 1 | |
| | | | | | | | | 4011192 | |