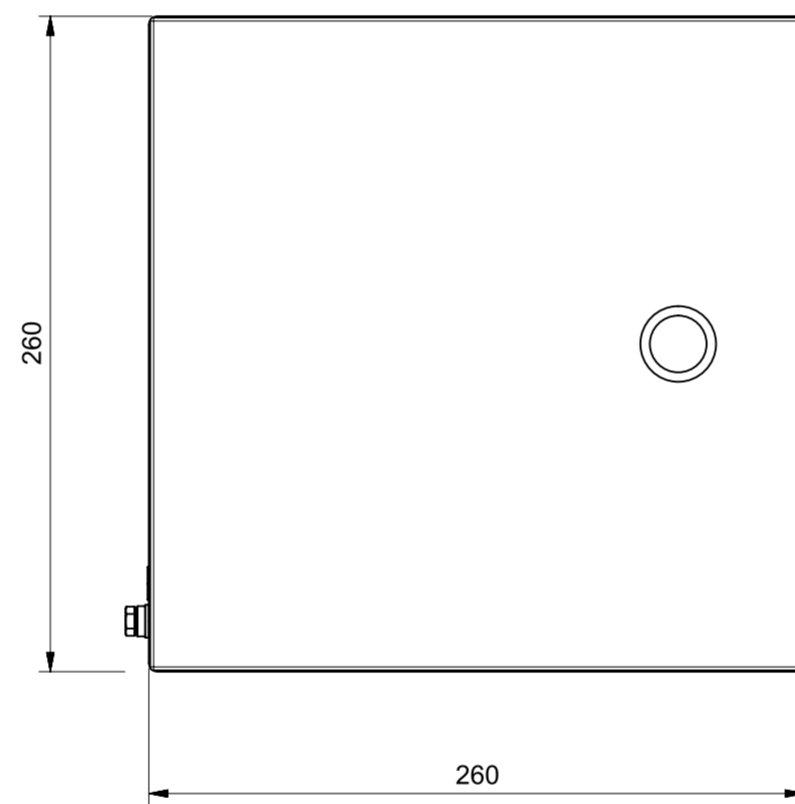
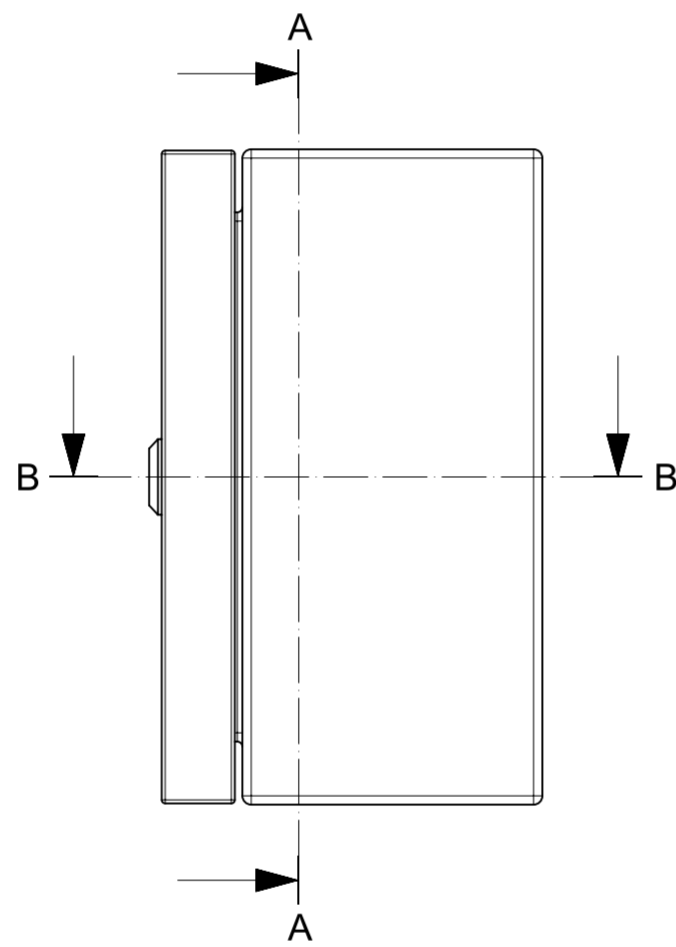
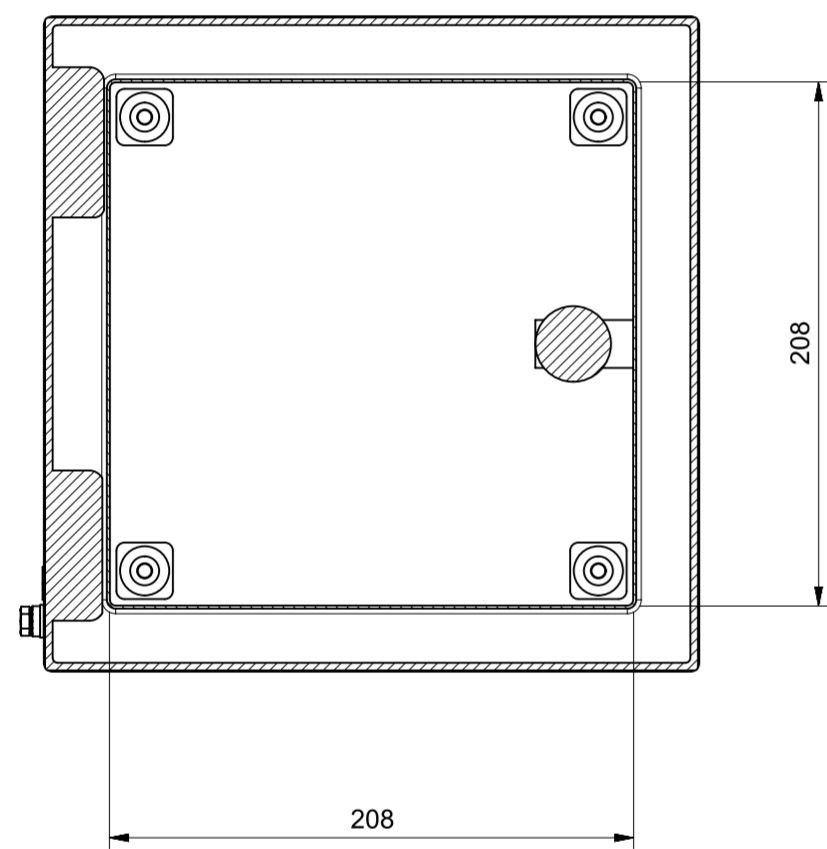
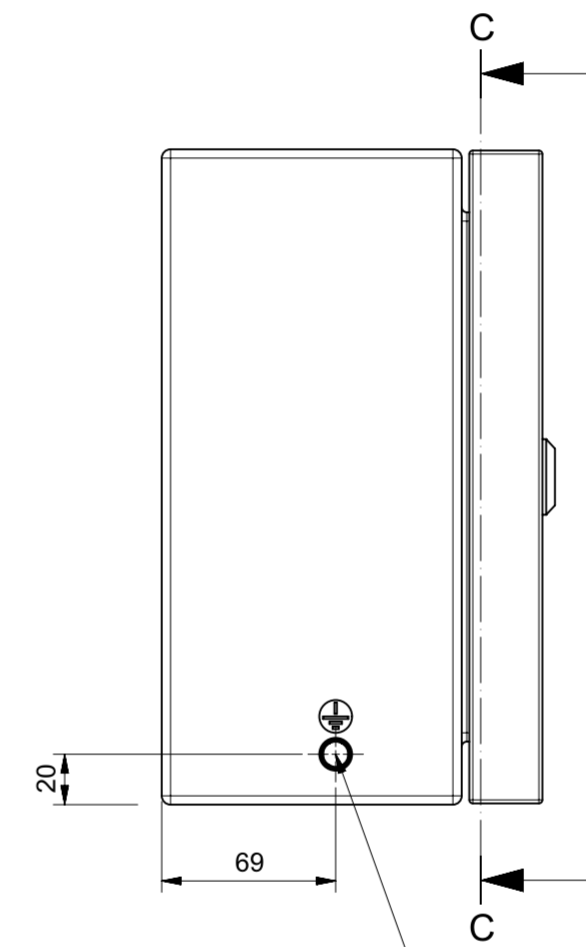
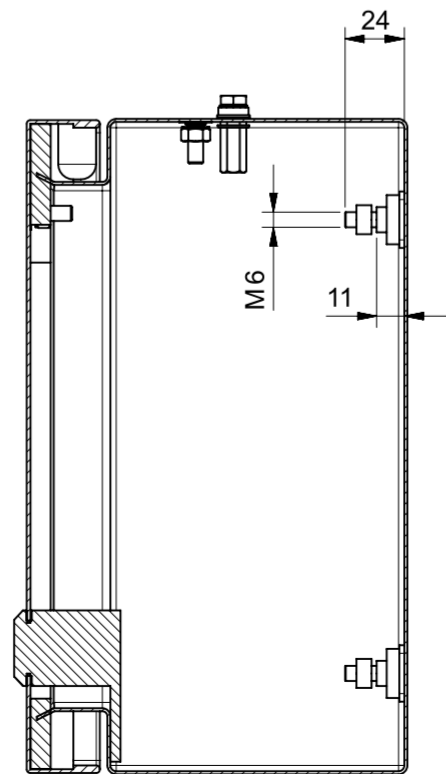


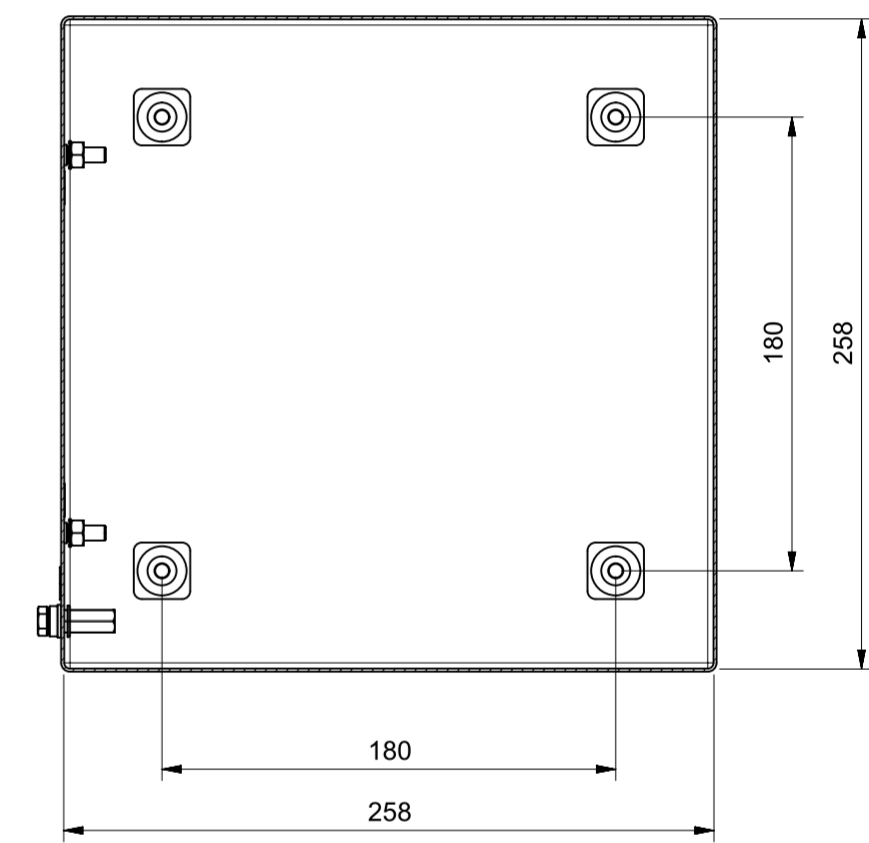
Sezione C-C



Sezione B-B



Sezione A-A



PERNO DI TERRA // EARTH PIN

Under the terms of the law we reserve the ownership of this design may not be copied and transfer it to third parties or competitors SCAME S.p.A. PARRE - (Bergamo)	Format	A2	Scale	1:3	Mould N°		Drawn	SCAME
	Tolerances for linear and angular dimensions without indication of specific tolerances: JS13 / UNI 286-1:2010						Date	
DESCRIPTION							CODE	Sheet 1 / 1
CASSETTA 260x260x150 Zenith-S							4011914	