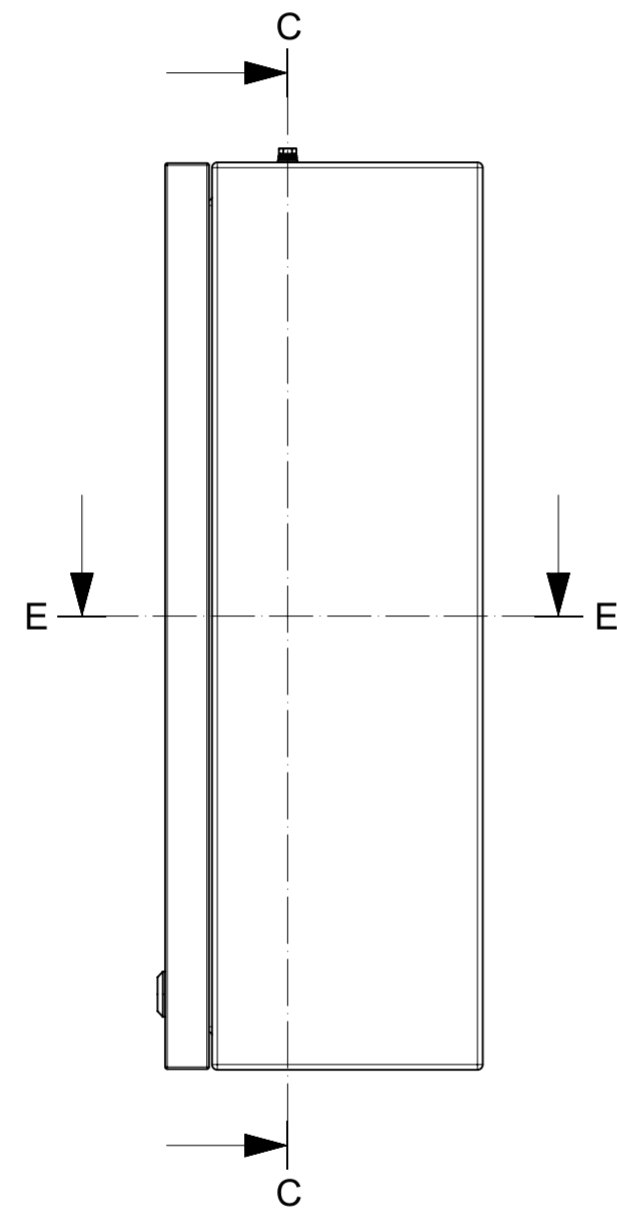
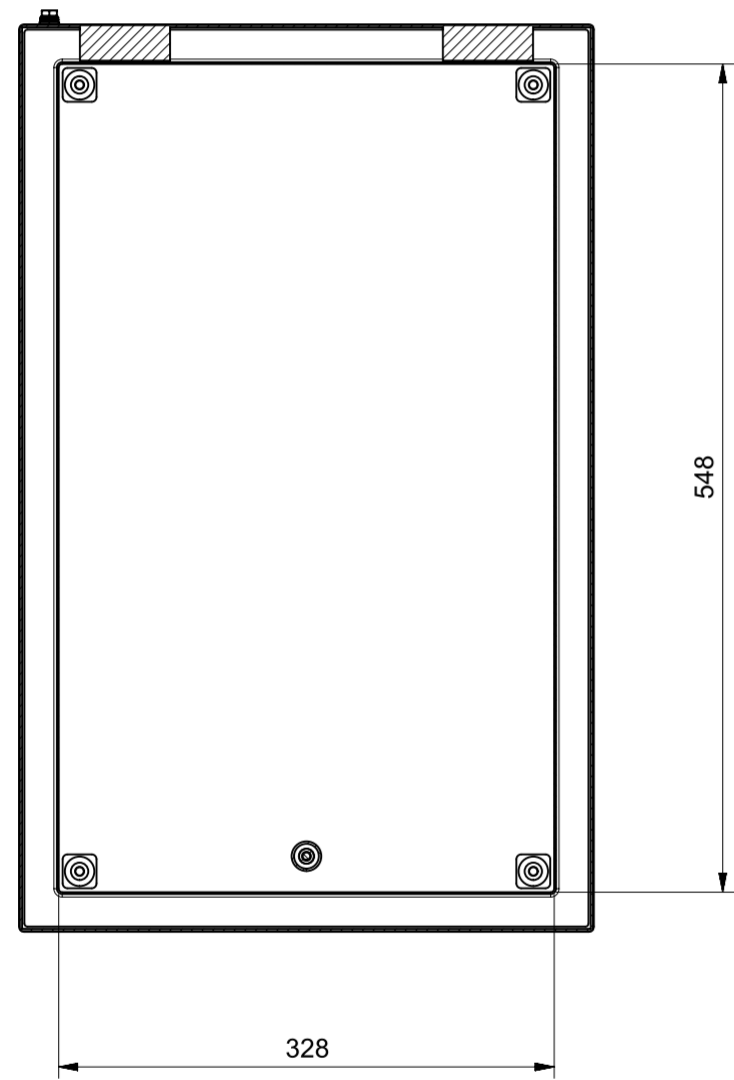
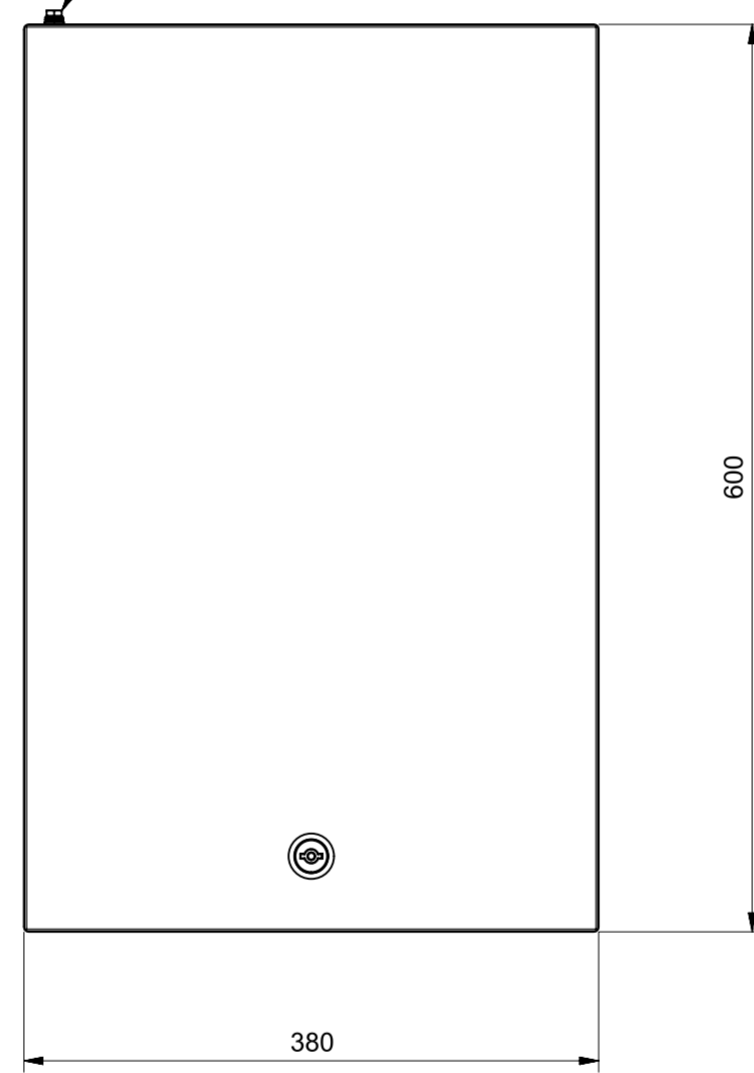


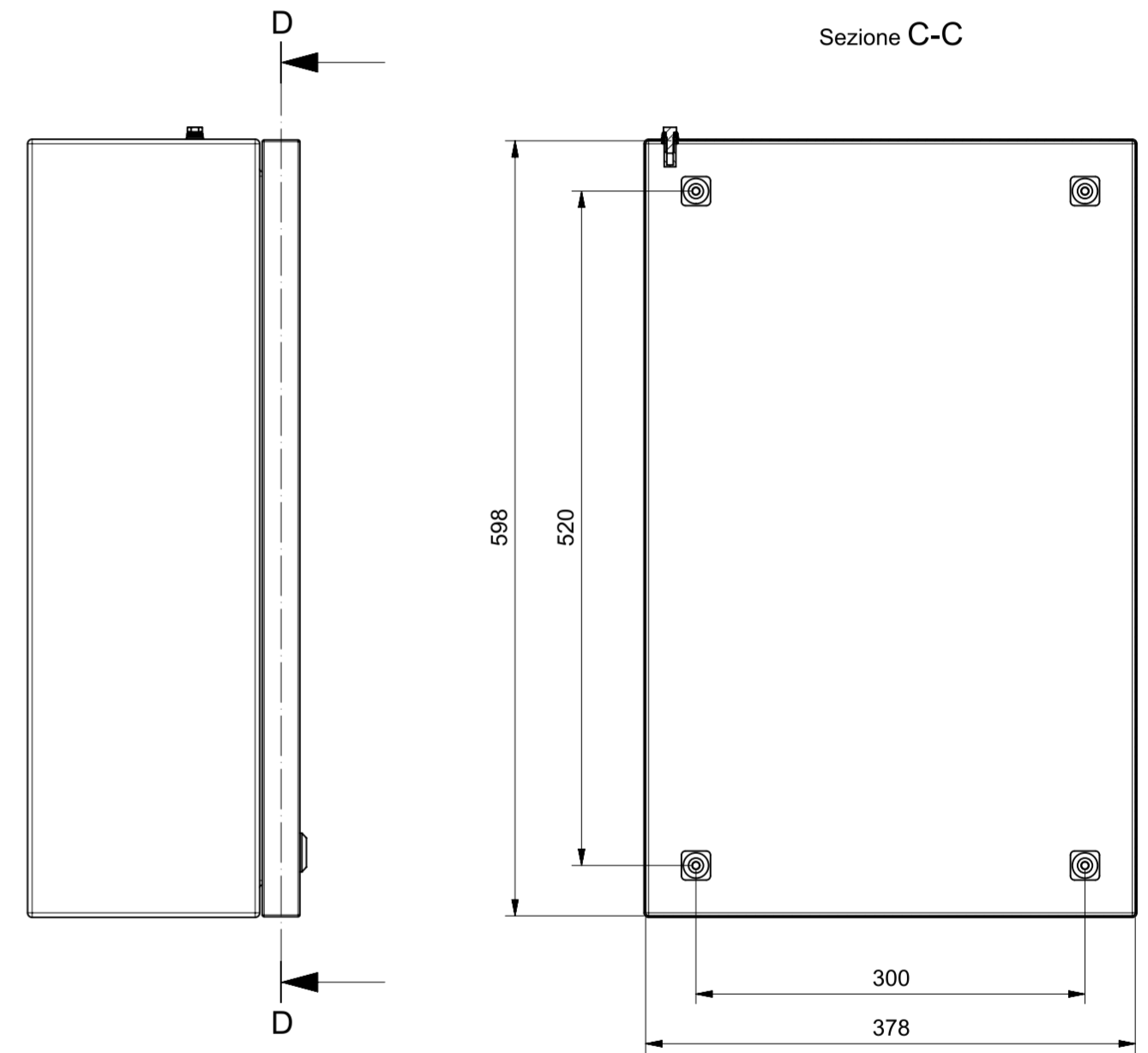
Sezione D-D



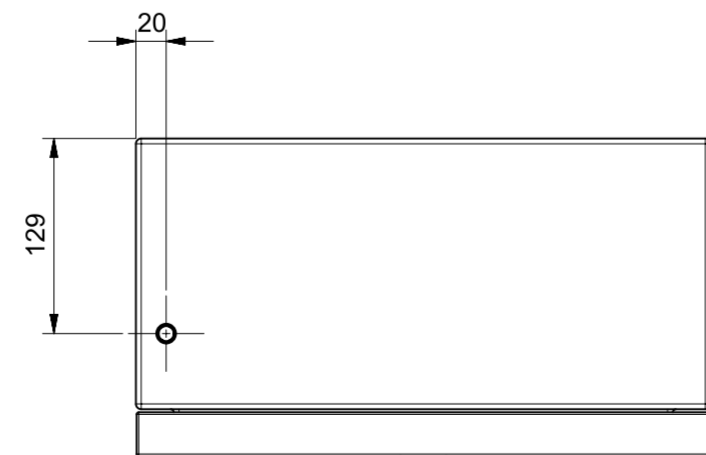
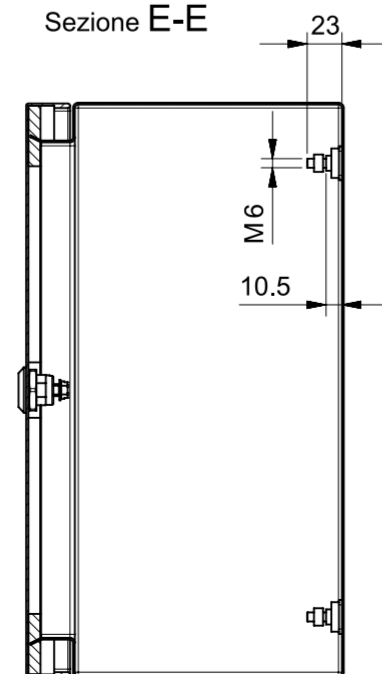
PERNO DI TERRA // EARTH PIN



Sezione C-C



Sezione E-E



| | | | | | | | | | |
|--|---|--------------------------------------|-------|-----|----------|--|-------|----------------|-------------|
| Under the terms of the law we reserve the ownership of this design may not be copied and transfer it to third parties or competitors | Format | A2 | Scale | 1:5 | Mould N° | | Drawn | SCAME | |
| | Tolerances for linear and angular dimensions without indication of specific tolerances: JS13 / UNI 286-1:2010 | | | | | | | Date | |
| | DESCRIPTION | | | | | | | Approved | |
| S.p.A. PARRE - (Bergamo) | | CASSETTA 600x380x210 Zenith-S | | | | | | CODE | Sheet 1 / 1 |
| | | | | | | | | 4011928 | |