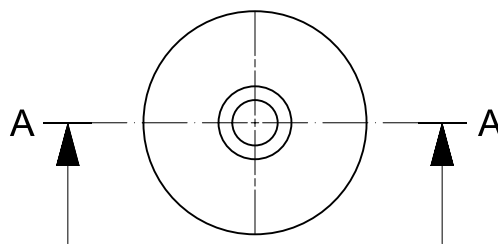
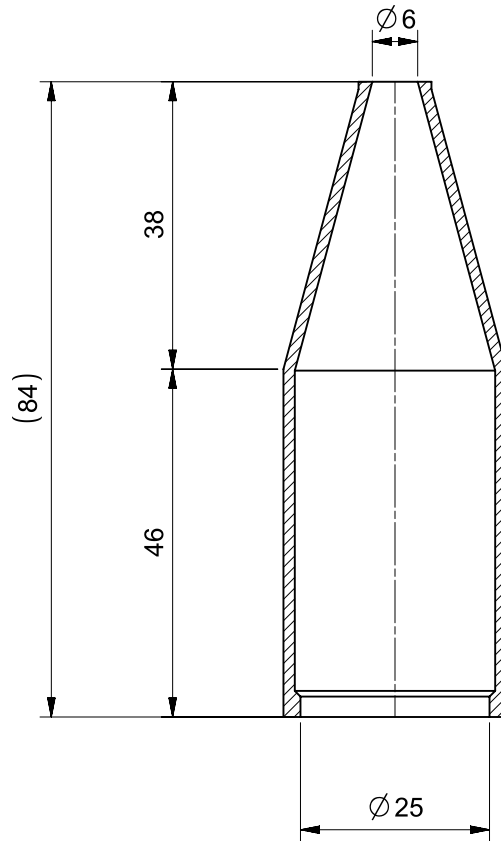


Sezione A-A



Under the terms of the law we reserve the ownership of this design may not be copied and transfer it to third parties or competitors SCAME S.p.A. PARRE - (Bergamo)	Format	A4V	Scale	1:1	Mould N°		Drawn	Davide Oprandi
	Tolerances for linear and angular dimensions without indication of specific tolerances: JS13 / UNI 286-1:2010						Date	24/07/2019
							Approved	
DESCRIPTION							CODE	Sheet 1 / 1
CAPPuccio DI PROTEZIONE PRESSACAVI TG.16							4011308	