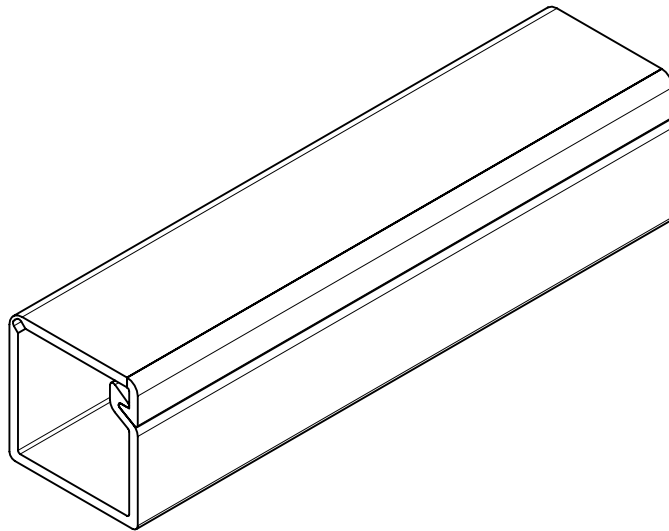


LUNGHEZZA STANDARD BARRE 2 m



<p>At the end of the law, we reserve the ownership of this design may not be copied and transfer it to third parties or competitors</p> <p>SCAME S.p.A. PARRE - (Bergamo)</p>	Format	A4V	Scale	5:1	Mould N°	1000XXXX	Drawn	SCAME	
	<p>Tolerances for linear and angular dimensions without indication of specific tolerances: JS13 / UNI 286-1:2010</p>							Date	gg-mm-aaaa
								Approved	
<p>DESCRIPTION</p> <p>MINICANALE ADESIVO 12x12</p>							CODE	Sheet 1 / 1	
								4007060	