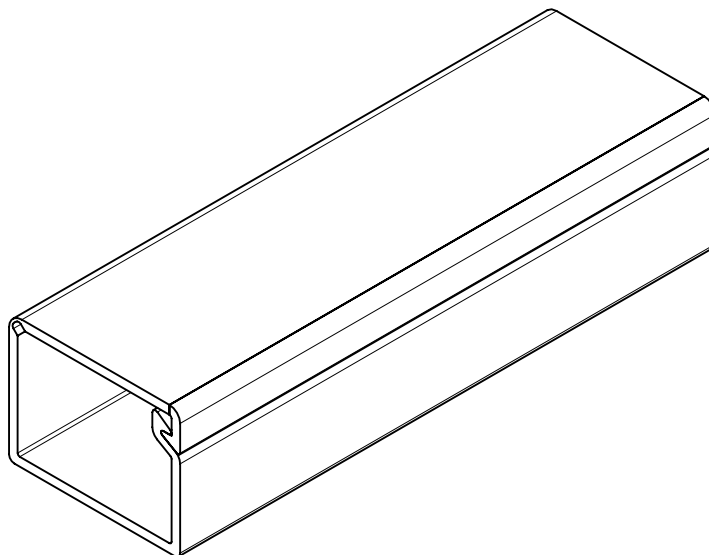
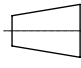




LUNGHEZZA STANDARD BARRE 2 m



At the end of the law, we reserve the ownership of this design may not be copied and transfer it to third parties or competitors	Format	A4V	Scale	5:1	Mould N°	1000XXXX	Drawn	SCAME
	Tolerances for linear and angular dimensions without indication of specific tolerances: JS13 / UNI 286-1:2010							Date
 S.p.A. PARRE - (Bergamo)	DESCRIPTION						Approved	
	MINICANALE ADESIVO 16x12						CODE	Sheet 1 / 1
							4007061	