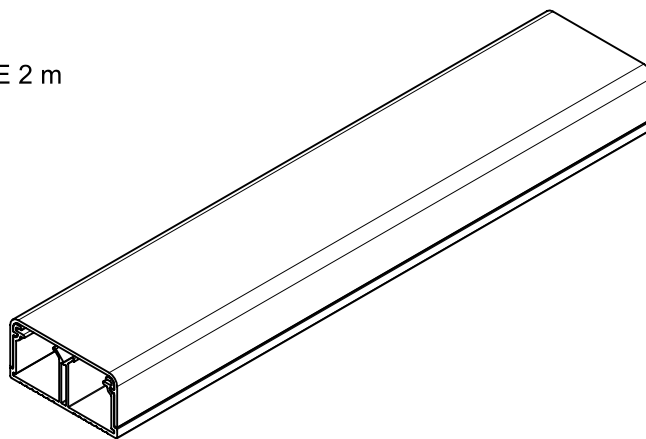
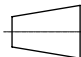



LUNGHEZZA STANDARD BARRE 2 m



<p>At the end of the law, we reserve the ownership of this design may not be copied and transfer it to third parties or competitors</p> <p><b>SCAME</b> S.p.A. PARRE - (Bergamo)</p>	Format	A4V	Scale	2:1	Mould N°	1000XXXX	Drawn	SCAME
	Tolerances for linear and angular dimensions without indication of specific tolerances: JS13 / UNI 286-1:2010					 	Date	gg-mm-aaaa
	DESCRIPTION							Approved
<p><b>MINICANALE COPERCHIO AVVOLGENTE 40x20</b></p>							CODE	Sheet 1 / 1
								<b>4007210</b>