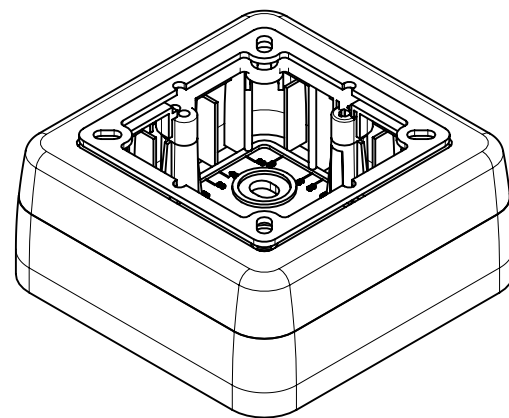




N° 2 SLOTS 8,5 X6,5



<p>At the end of the law, we reserve the ownership of this design may not be copied and transfer it to third parties or competitors</p> <p>SCAME S.p.A. PARRE - (Bergamo)</p>	Format	A3	Scale	1:1	Mould N°	1000XXXX	Drawn	SCAME	
	Tolerances for linear and angular dimensions without indication of specific tolerances: JS13 / UNI 286-1:2010						 	Date	gg-mm-aaaa
	DESCRIPTION							Approved	
<p>SCATOLA PORTAPPARECCHI 60 h43</p>							CODICE	Sheet 1 / 1	
								4007233	