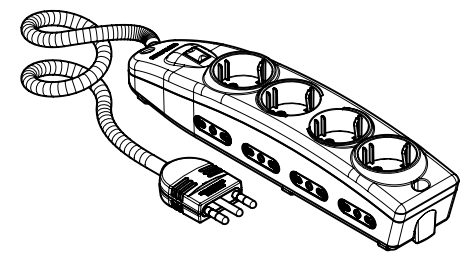
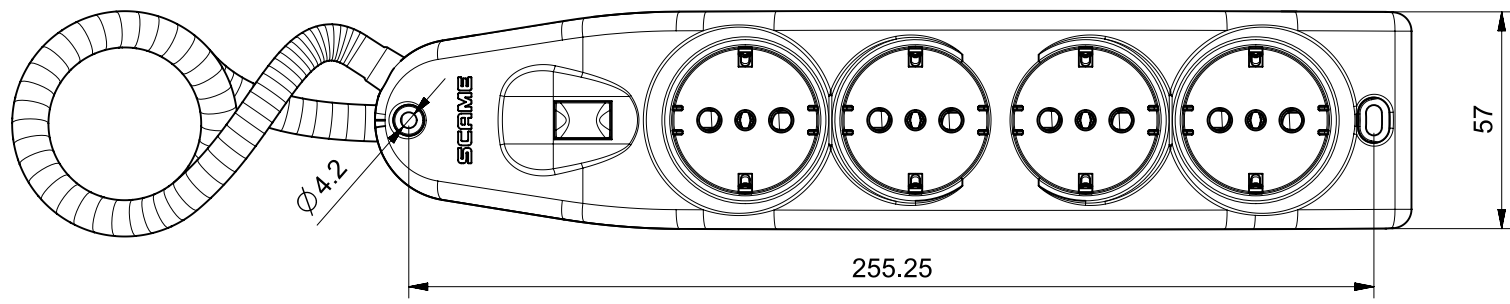


CAVO H05VV-F 3G 1mm<sup>2</sup>  
Lunghezza= 1,5 metri

SPINA S17 serie AZZURRA



Under the terms of the law we reserve the ownership of this design may not be copied and transfer it to third parties or competitors	Format	A4O	Scale	1:2	Mould N°	Drawn	SCAME
	Tolerances for linear and angular dimensions without indication of specific tolerances: JS13 / UNI 286-1:2010						Date
 S.p.A. PARRE - (Bergamo)	DESCRIPTION					Approved	
	MULTIPRESA 4 X P30 + 8 X P11/P17 serie TREND					CODE	Sheet 1 / 1