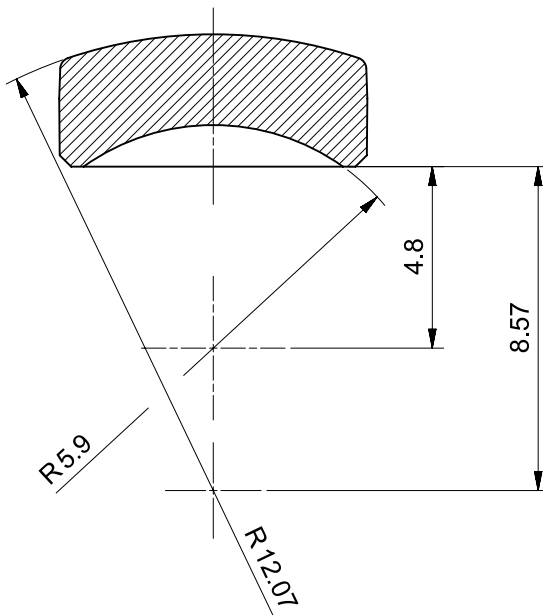
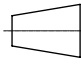



Sezione B-B



<p>At the end of the law, we reserve the ownership of this design may not be copied and transfer it to third parties or competitors</p> <p>SCAME S.p.A. PARRE - (Bergamo)</p>	Format	A4V	Scale	5:1	Mould N°	30005059	Drawn	MAPELLI	
	Tolerances for linear and angular dimensions without indication of specific tolerances: JS13 / UNI 286-1:2010					 		Date	24-01-2017
								Approved	
DESCRIPTION							CODE	Sheet 1 / 1	
TAPPO PROTECTA PROGETTO DAMAC							4010654		