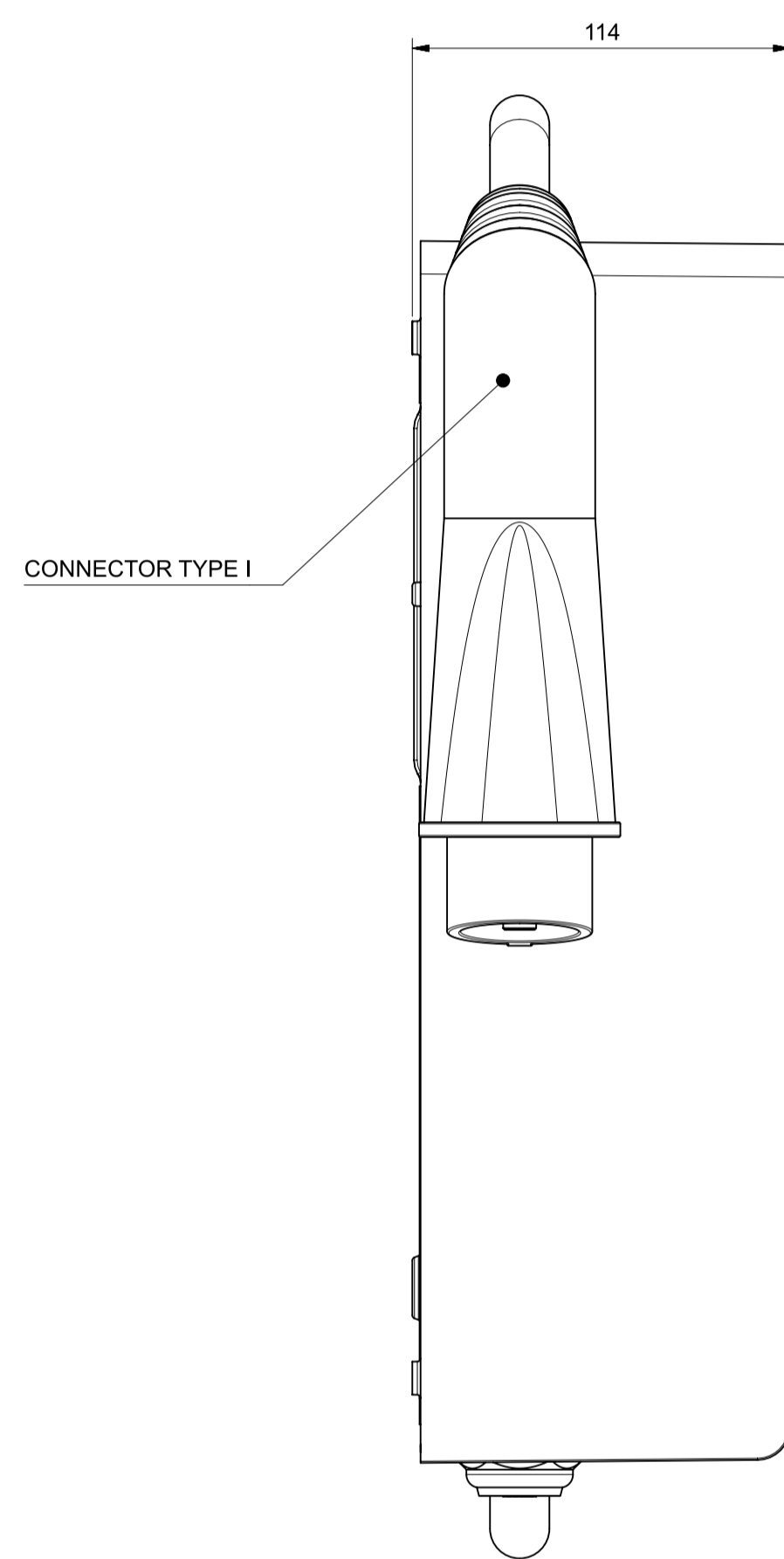
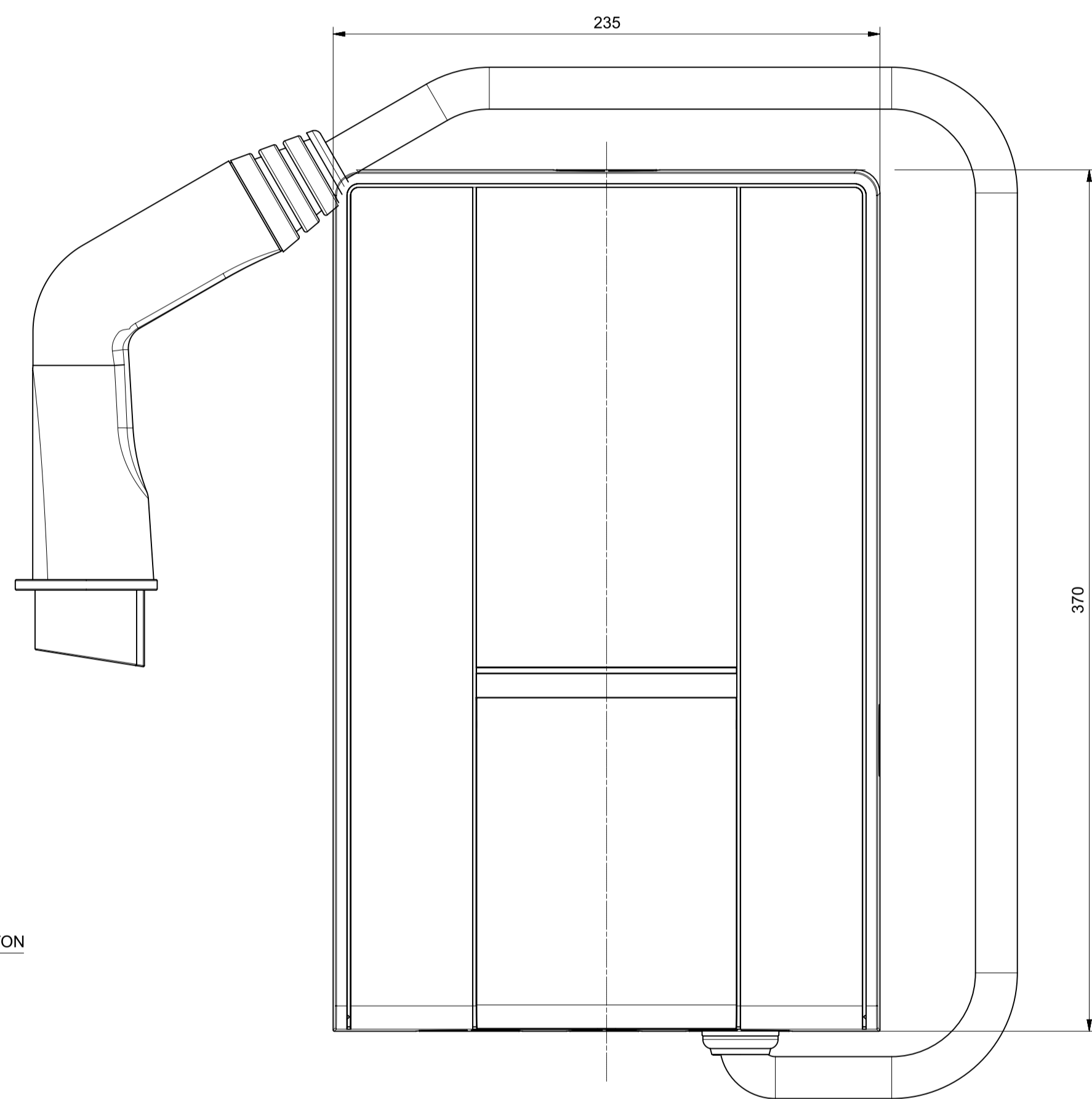
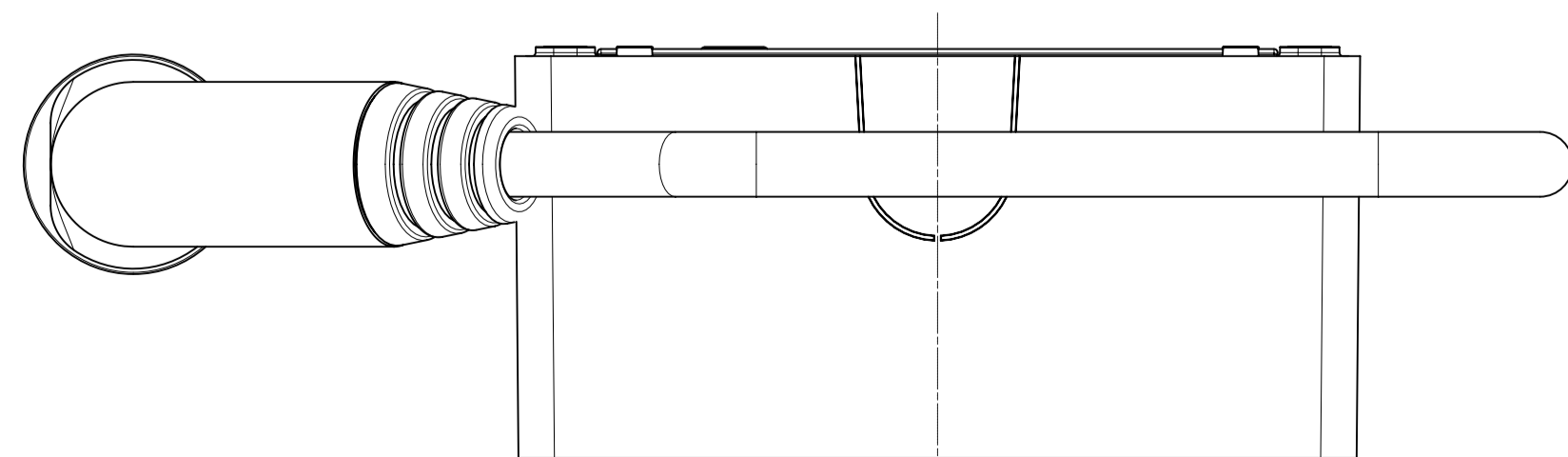
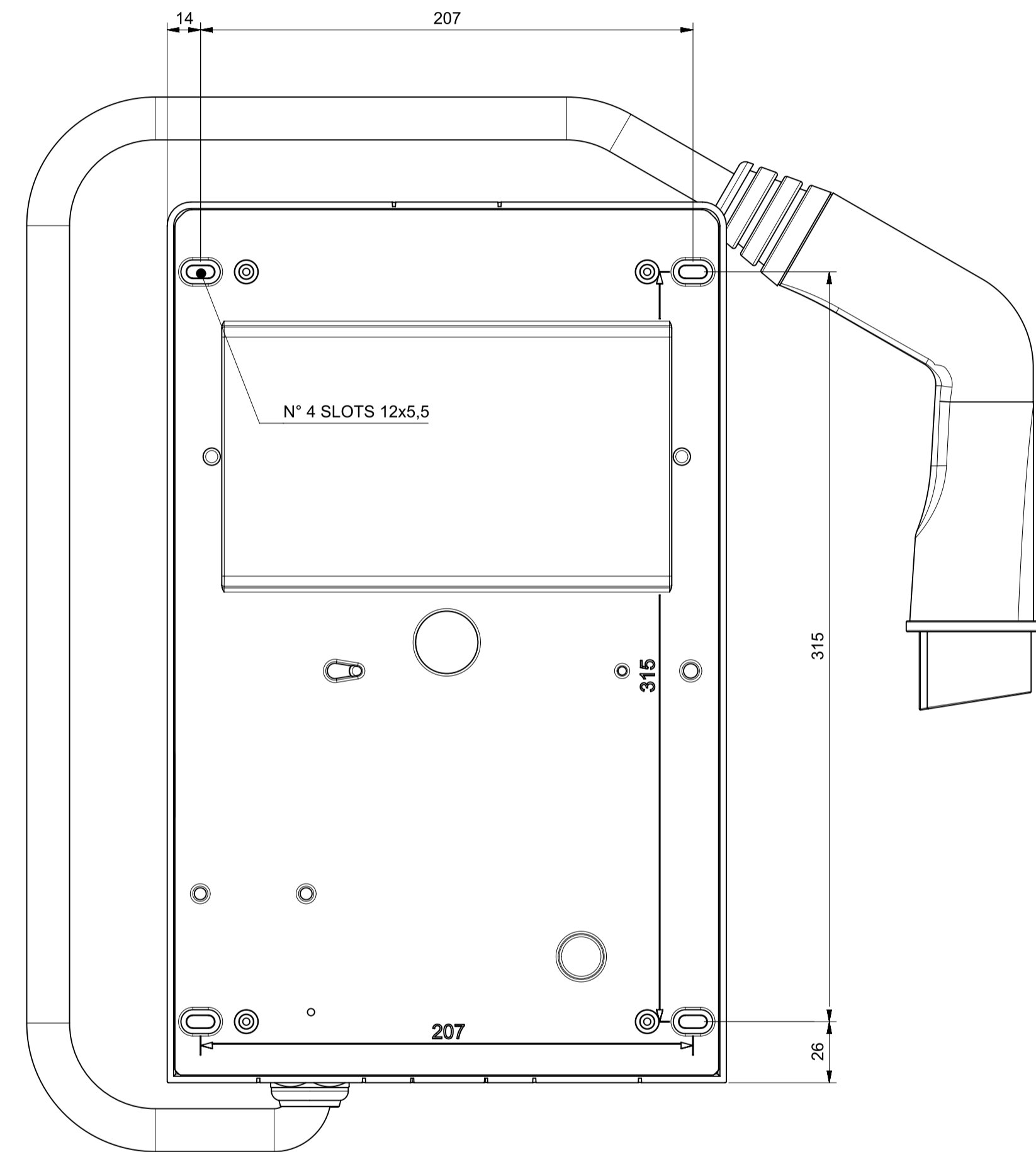


CHARGING STOP PUSH-BUTTON



CONNECTOR TYPE I



Under the terms of the law we reserve the ownership of this design may not be copied and transfer it to third parties or competitors SCAME S.p.A. PARRE - (Bergamo)	Format	A1	Scale	1:1	Mould N°	1000XXXX	Drawn	SCAME
	Tolerances for linear and angular dimensions without indication of specific tolerances: JS13 / UNI 286-1:2010							Date
DESCRIPTION							Approved	
WALLBOX 1 PRESA TIPO I CON CAVO E SENZA DISPALY							CODE	4011325
							Sheet	1 / 1