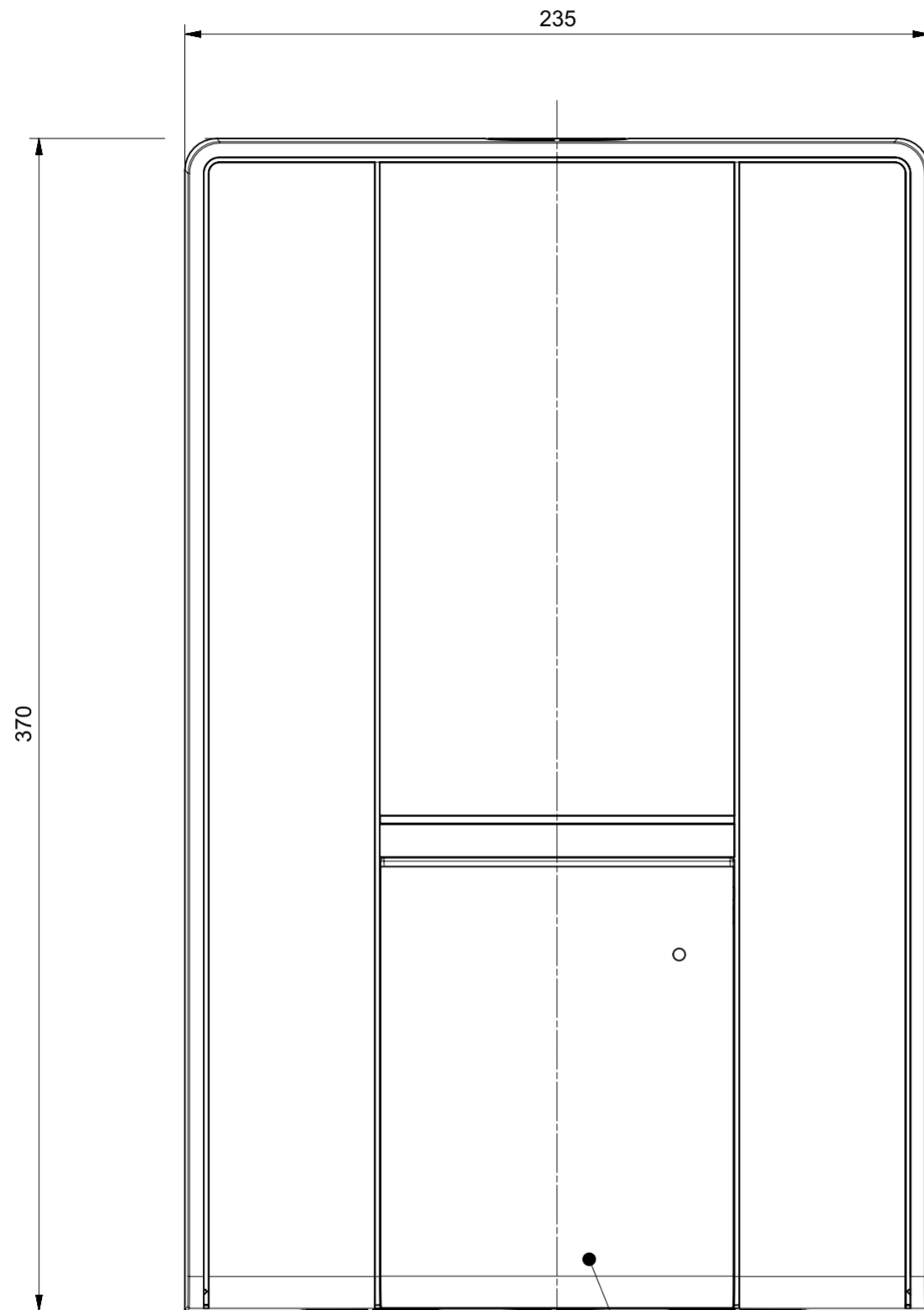
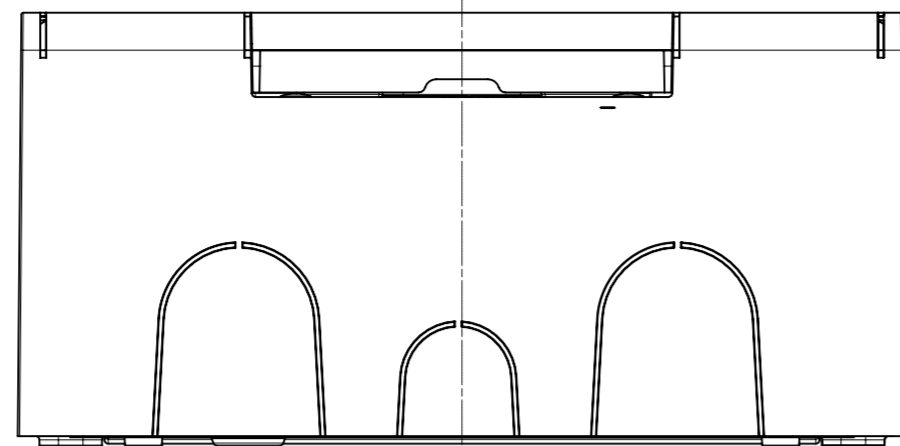
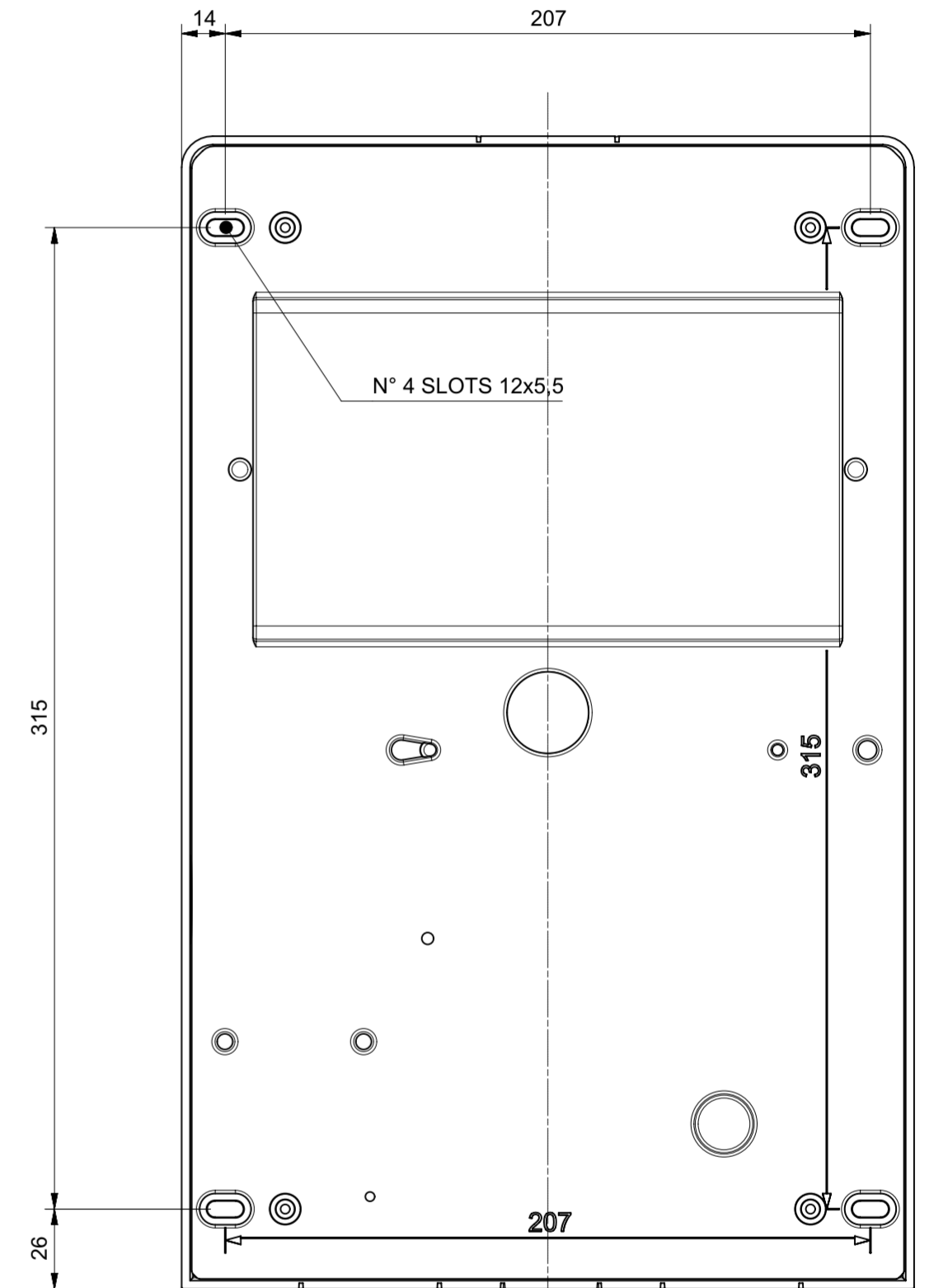
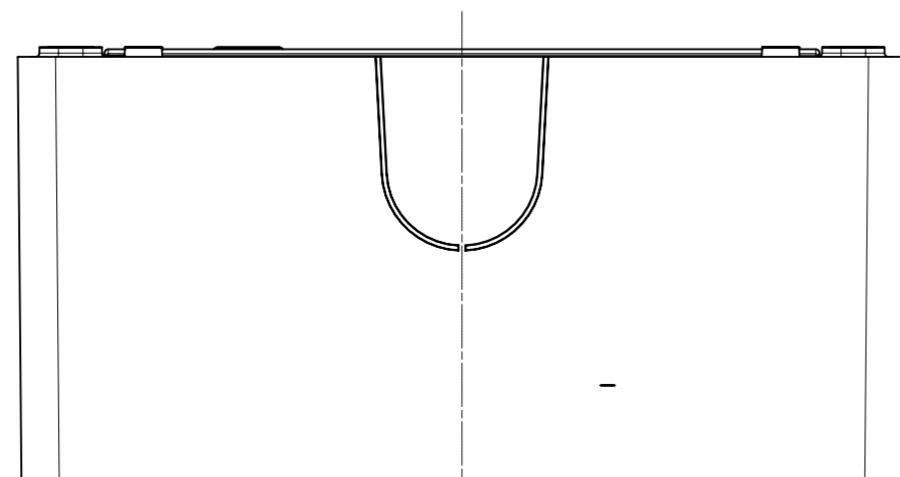
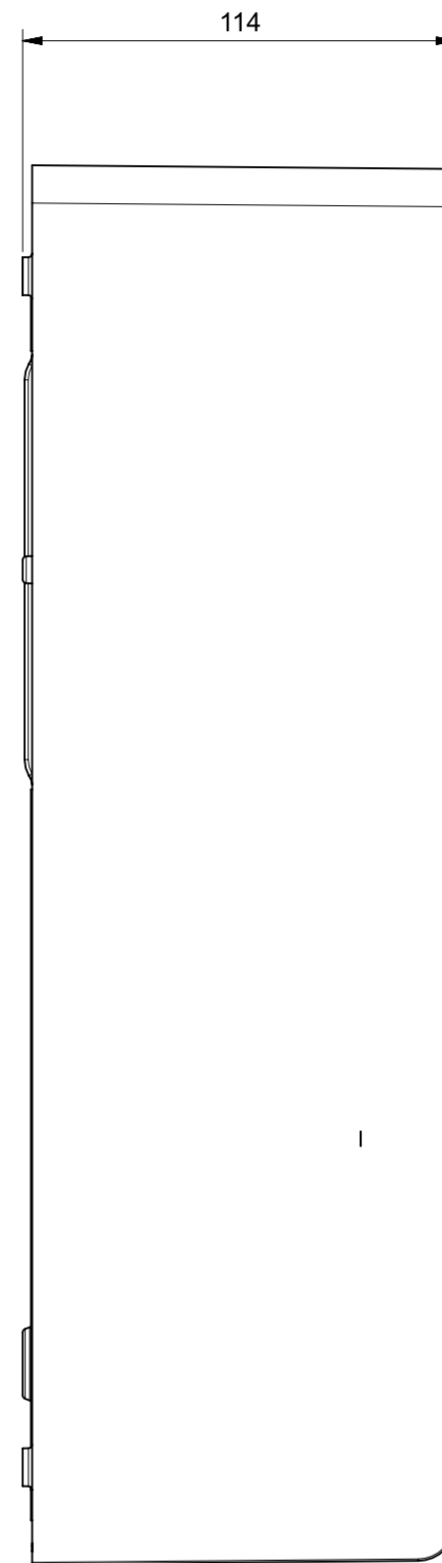


CHARGING STOP PUSH-BUTTON



SOCKET OUTLET TYPE IIIA



Under the terms of the law we reserve the ownership of this design may not be copied and transfer it to third parties or competitors <b>SCAME</b> S.p.A. PARRE - (Bergamo)	Format	A2	Scale	1:2	Mould N°	-	Drawn	SCAME	
	Tolerances for linear and angular dimensions without indication of specific tolerances: JS13 / UNI 286-1:2010							Date	
	DESCRIPTION							Approved	
WALLBOX 1 PRESA TIPO IIIA SENZA DISPLAY							CODE	4011322	
								Sheet 1 / 1	