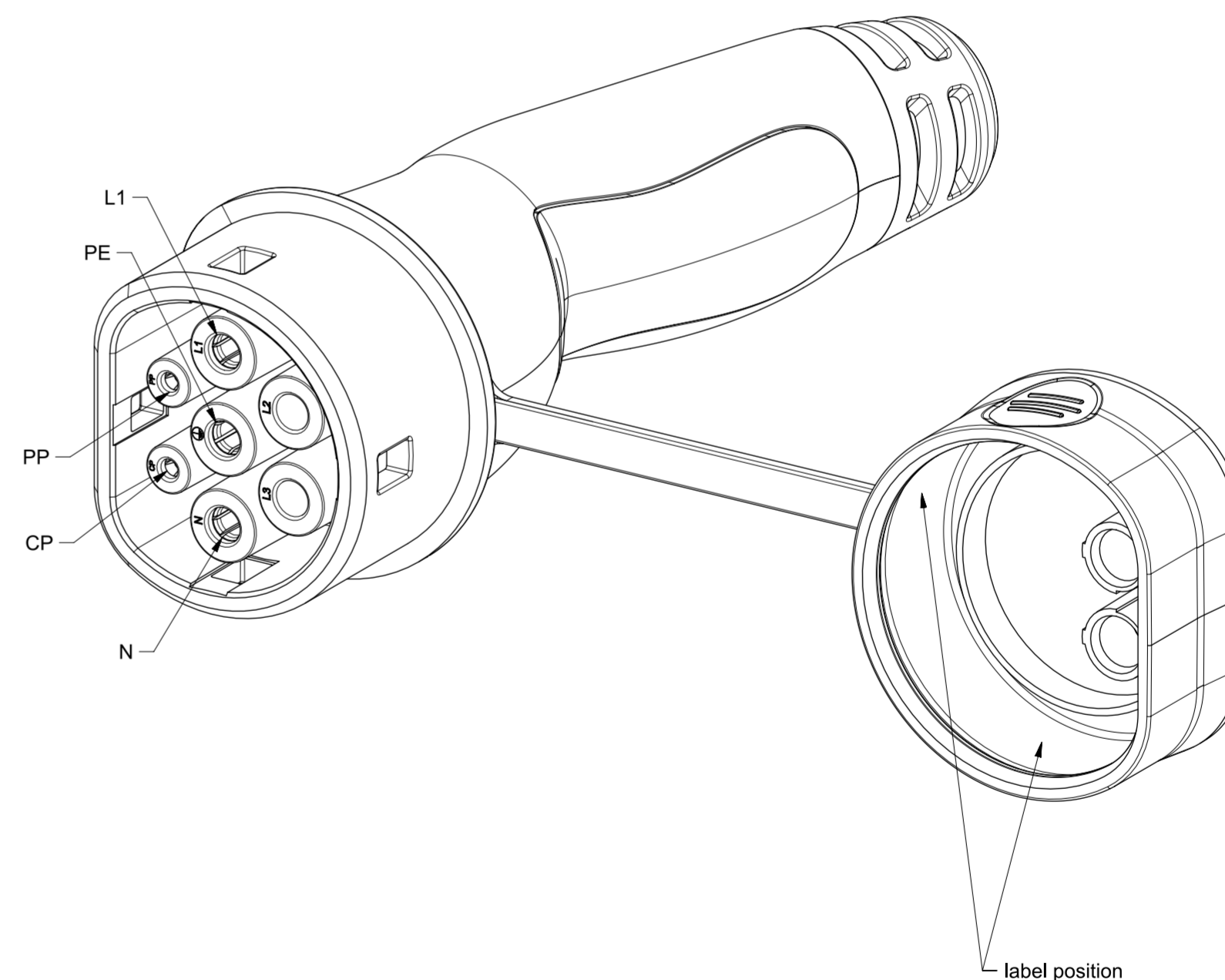
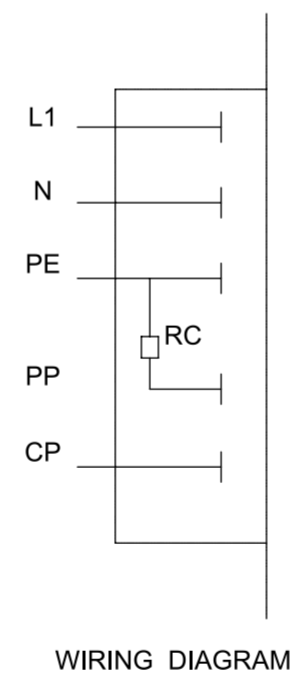


ITEM	DESCRIPTION	CHARACTERISTICS	COLOR
1	CONNECTOR	TYPE 2 - 20A AC SINGLE-PHASE	
2	PLUG	TYPE 2 - 20A AC SINGLE-PHASE	
3	CABLE	3G2,5+1x0,5 EN50620-2017 SPIRAL	BLACK



PART NUMBER	A (m) working length	B (m) line length
201.CS2121-4S	4 (0 ; 0,1)	6,5 ± 0,01

Via Costa Erika 15 - 24020 Parre (BG) ITALY

 XXXXXXXXXXXXXXXXXXXX

 XXXXXXXX

 201.XXXXXXXXXX

General data

201.xxxxxxx

 ????????

 Year: xxxx

Batch data

Under the terms of the law we reserve the ownership of this design may not be copied and transfer it to third parties or competitors S.p.A. PARRE - (Bergamo)	Format	A2	Scale	1:1	Mould N°		Drawn	SCAME	
	Tolerances for linear and angular dimensions without indication of specific tolerances: JS13 / UNI 286-1:2010							Date	
	DESCRIPTION							Approved	
CORD-SET PLUG-CONNECTOR T2 20A 1P 4M SPIR							CODE	Sheet 1 / 1	
								4013645	