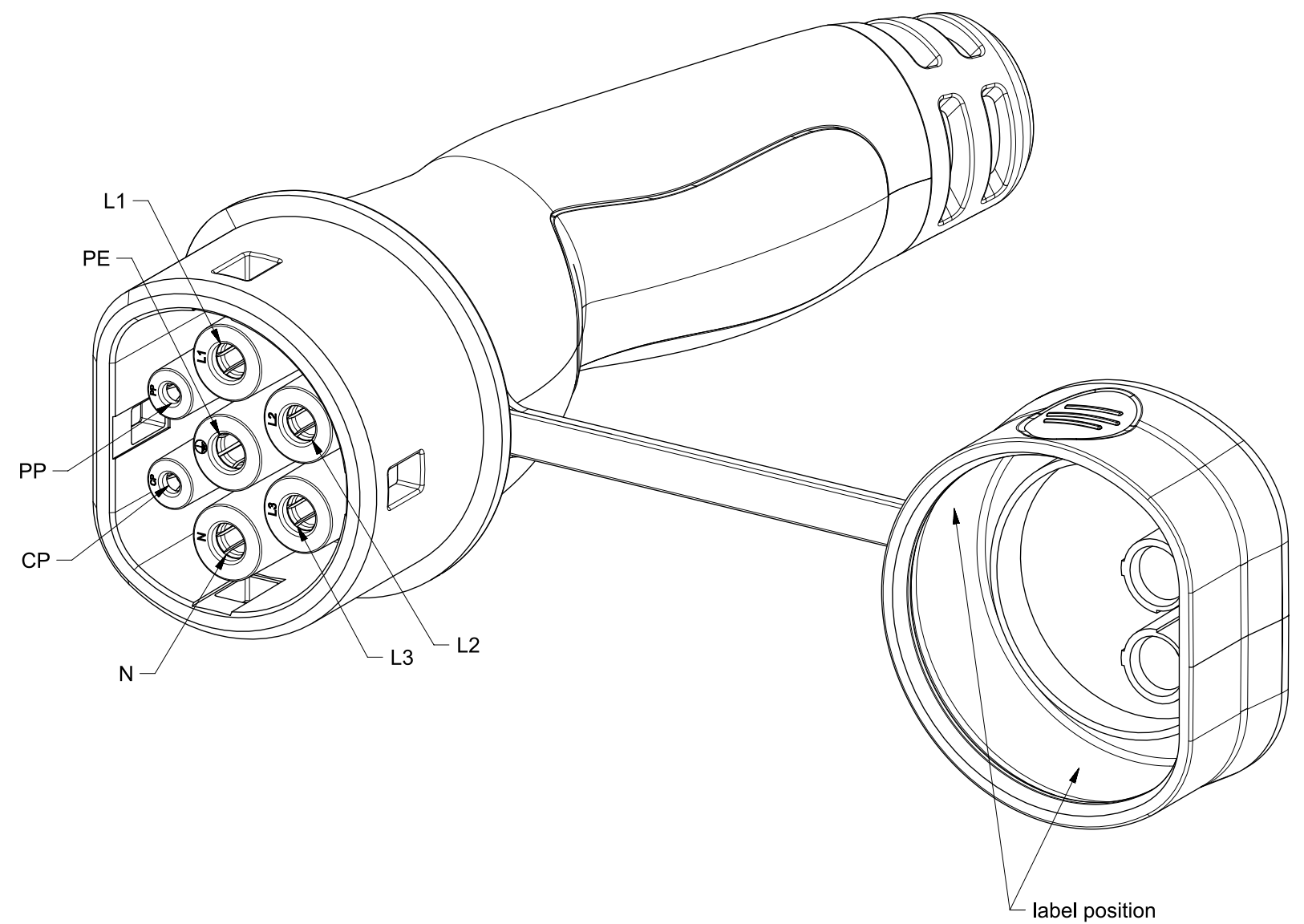
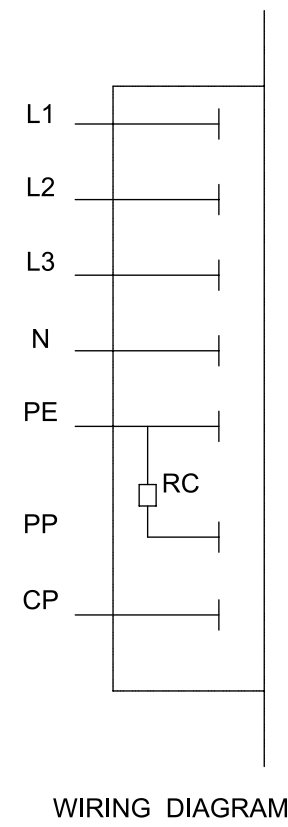



ITEM	DESCRIPTION	CHARACTERISTICS	COLOR
1	CONNECTOR	TYPE 2 - 20A AC THREE-PHASE	
2	PLUG	TYPE 2 - 20A AC THREE-PHASE	
3	CABLE	5G2,5+1x0,5 EN50620-2017 SPIRAL	BLACK




PART NUMBER	A (m) working length	B (m) line length
201.CS2222-4S	4 (0 ; 0,1)	6,5 ± 0,01


 Via Costa Erta 15 - 24020 Parre BG ITALY
 XXXXXXXXXXXXXXXXXXXXXXXX
 XXXXXXXX
 201.XXXXXXXXXX

General data

201.XXXXXXXXXX
 ???????
 Year: xxxx

Batch data

Under the terms of the law we reserve the ownership of this design may not be copied and transfer it to third parties or competitors  S.p.A. PARRE - (Bergamo)	Format	A2	Scale	1:1	Mould N°	Drawn	SCAME
	Tolerances for linear and angular dimensions without indication of specific tolerances: JS13 / UNI 286-1:2010						Date
DESCRIPTION CORD-SET PLUG-CONNECTOR T2 20A 3P 4M SPIR						Approved	
						CODE	Sheet 1 / 1
							4013646