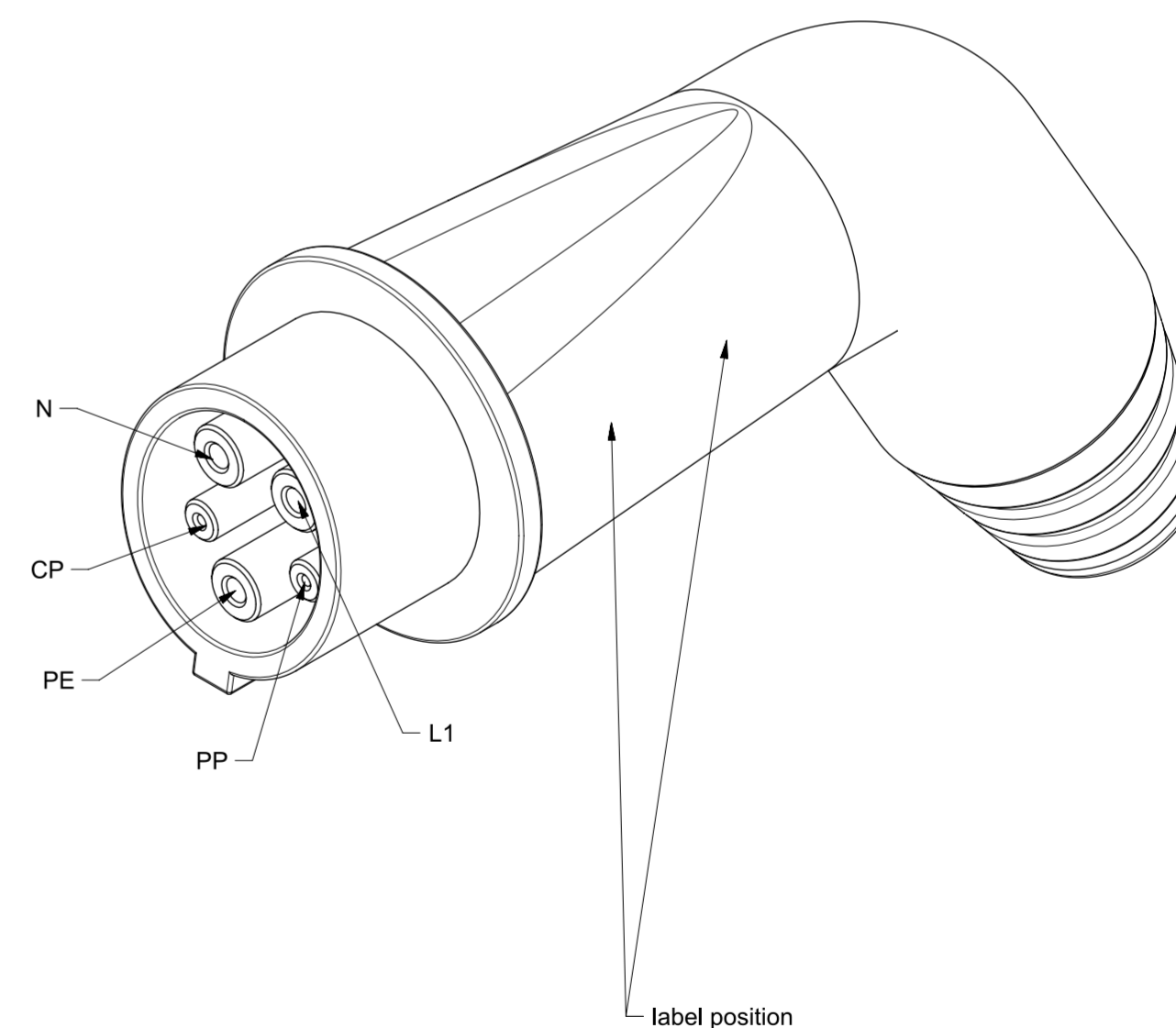
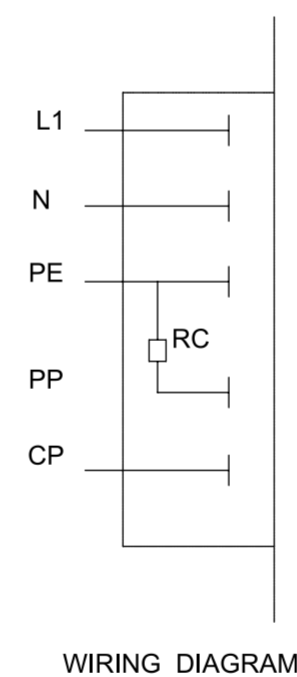


ITEM	DESCRIPTION	CHARACTERISTICS	COLOR
1	CONNECTOR	TYPE 1 - 32A AC SINGLE-PHASE	
2	PLUG	TYPE 2 32A AC SINGLE-PHASE	
3	CABLE	3G6+1x0,5 EN50620-2017	BLACK

PART NUMBER	A (m)
201.CS2313-5	5 (0 ; 0,1)
201.CS2313-8	7,5 (0 ; 0,1)



SCAME
 Via Costa Erika 15 - 24100 Parre BG ITALY
 XXXXXXXXXXXXXXXXXXXX
 XXXXXXXX
 201.XXXXXXXXXX

General data

201.xxxxxxxx
 ???????
 Year: xxxx

Batch data

Under the terms of the law we reserve the ownership of this design may not be copied and transfer it to third parties or competitors SCAME S.p.A. PARRE - (Bergamo)	Format	A2	Scale	1:1	Mould N°		Drawn	SCAME	
	Tolerances for linear and angular dimensions without indication of specific tolerances: JS13 / UNI 286-1:2010							Date	
	DESCRIPTION						CODE	Sheet 1 / 1	
CORD SET - PLUG T2 + CONNECTOR T1 - CAVO 3G6						4010533			