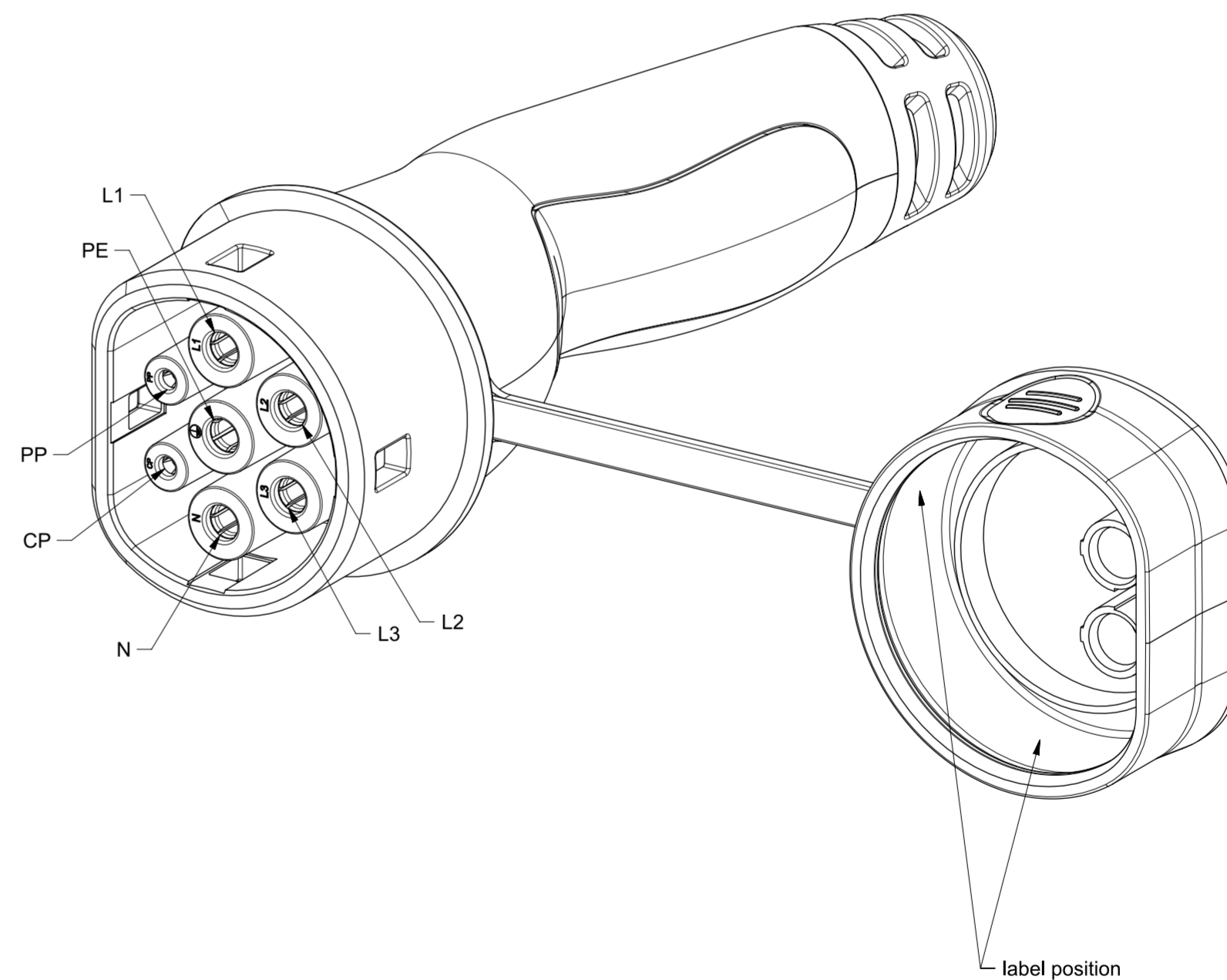
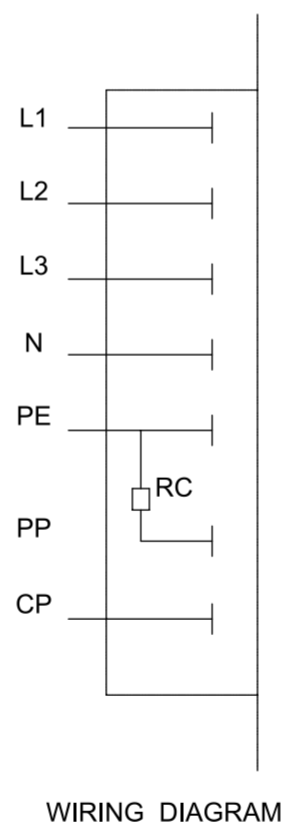


ITEM	DESCRIPTION	CHARACTERISTICS	COLOR
1	CONNECTOR	TYPE 2 - 32A AC THREE-PHASE	
2	PLUG	TYPE 2 - 32A AC THREE-PHASE	
3	CABLE	5G6+1x0,5 EN50620-2017	BLACK

PART NUMBER	A (m)
201.CS2424-10	10 (0 ; 0,1)
201.CS2424-5	5 (0 ; 0,1)
201.CS2424-8	7,5 (0 ; 0,1)



SCAME
Via Costa Erta 15 - 24020 Parre BG ITALY
XXXXXXXXXXXXXXXXXXXX
XXXXXXXXXX
201.XXXXXXXXXX

201.XXXXXXXXXX
????????
Year: xxxx

General data

Batch data

Under the terms of the law we reserve the ownership of this design may not be copied and transfer it to third parties or competitors	Format	A2	Scale	1:1	Mould N°	Drawn	SCAME
	Tolerances for linear and angular dimensions without indication of specific tolerances: JS13 / UNI 286-1:2010					Date	
SCAME S.p.A. PARRE - (Bergamo)	DESCRIPTION					Approved	
	CORD SET - PLUG T2 + CONNECTOR T2 32A 3P - CABLE 5G6					CODE	Sheet 1 / 1
							4010261