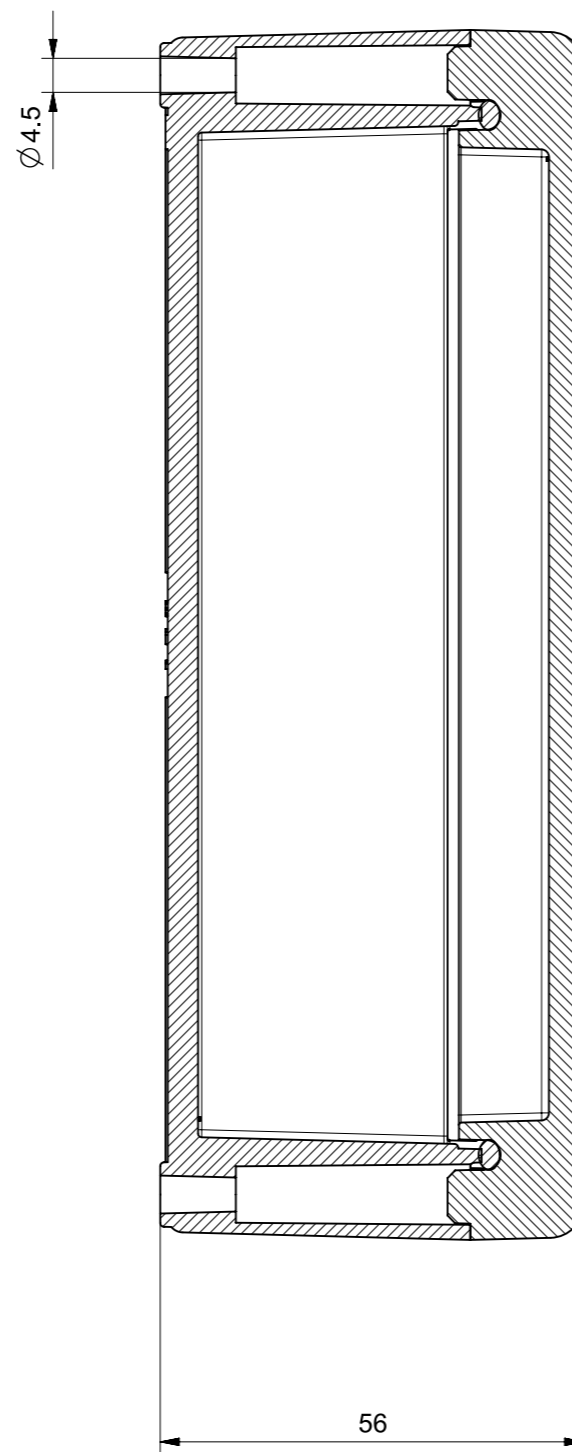
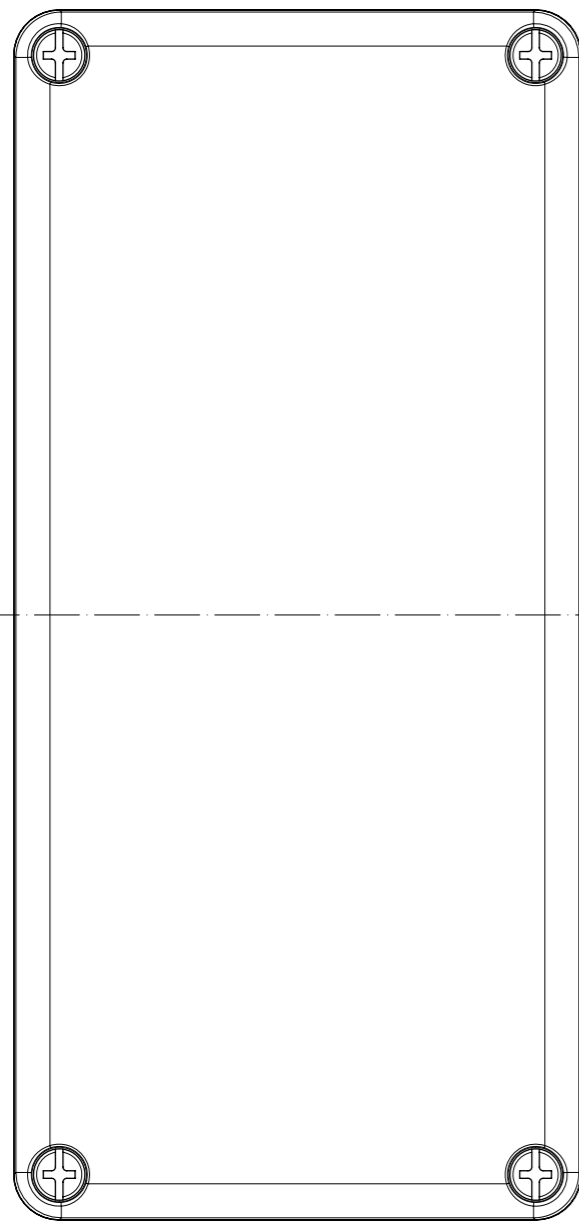
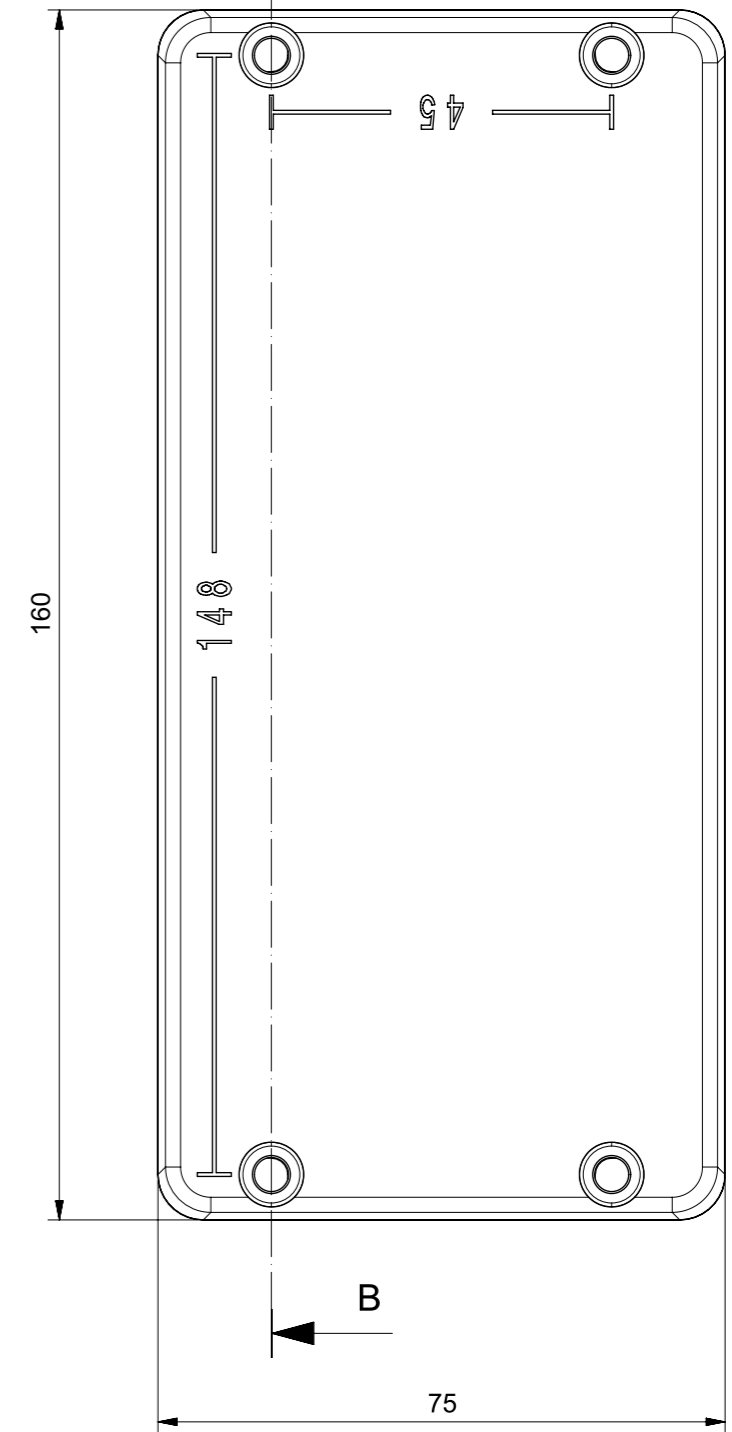


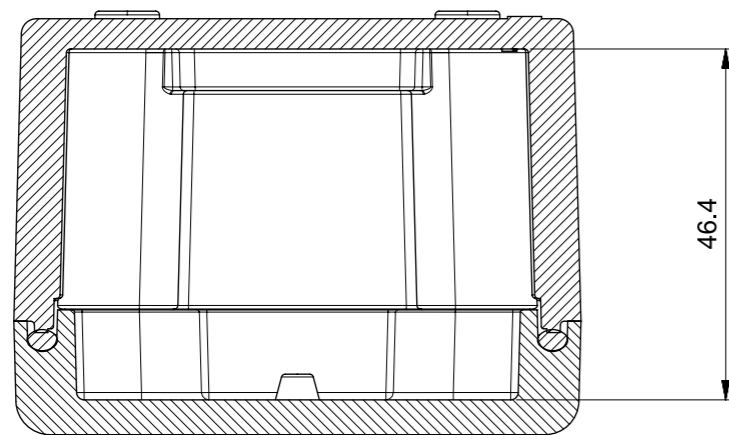
Sezione B-B



B



Sezione A-A



|  |  |    |       |     |          |          |       |                |             |
|--|--|----|-------|-----|----------|----------|-------|----------------|-------------|
| At the end of the law, we reserve the ownership of this design may not be copied and transfer it to third parties or competitors | Format   | A3 | Scale | 1:1 | Mould N° | 1000XXXX | Drawn | SCAME          |             |
|  | Tolerances for linear and angular dimensions without indication of specific tolerances: JS13 / UNI EN20286 |    |       |     |          |          |       | Date           |             |
| <br>S.p.A.<br>PARRE - (Bergamo)  | DESCRIPTION<br><b>CONTENITORE EX 160x75x55</b>   |    |       |     |          |          |       | Approved       |             |
|  |  |    |       |     |          |          |       | CODICE         | Sheet 1 / 1 |
|  |  |    |       |     |          |          |       | <b>4001256</b> |             |