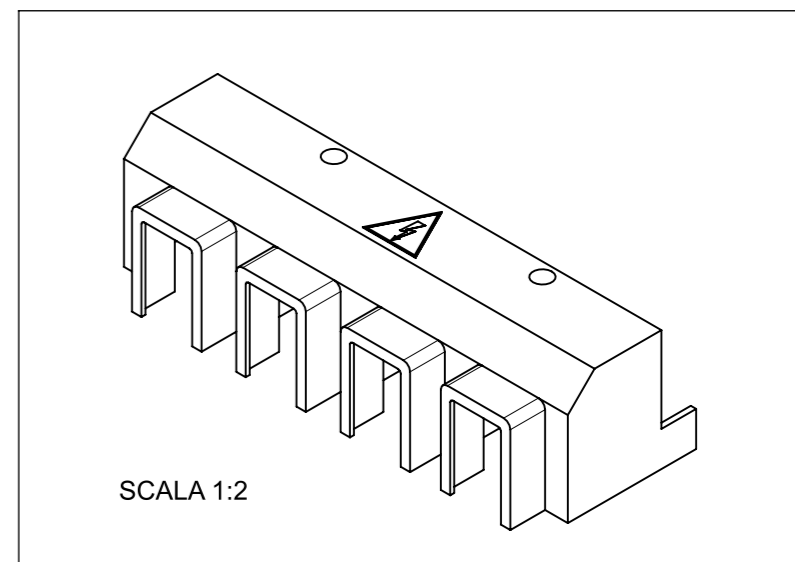
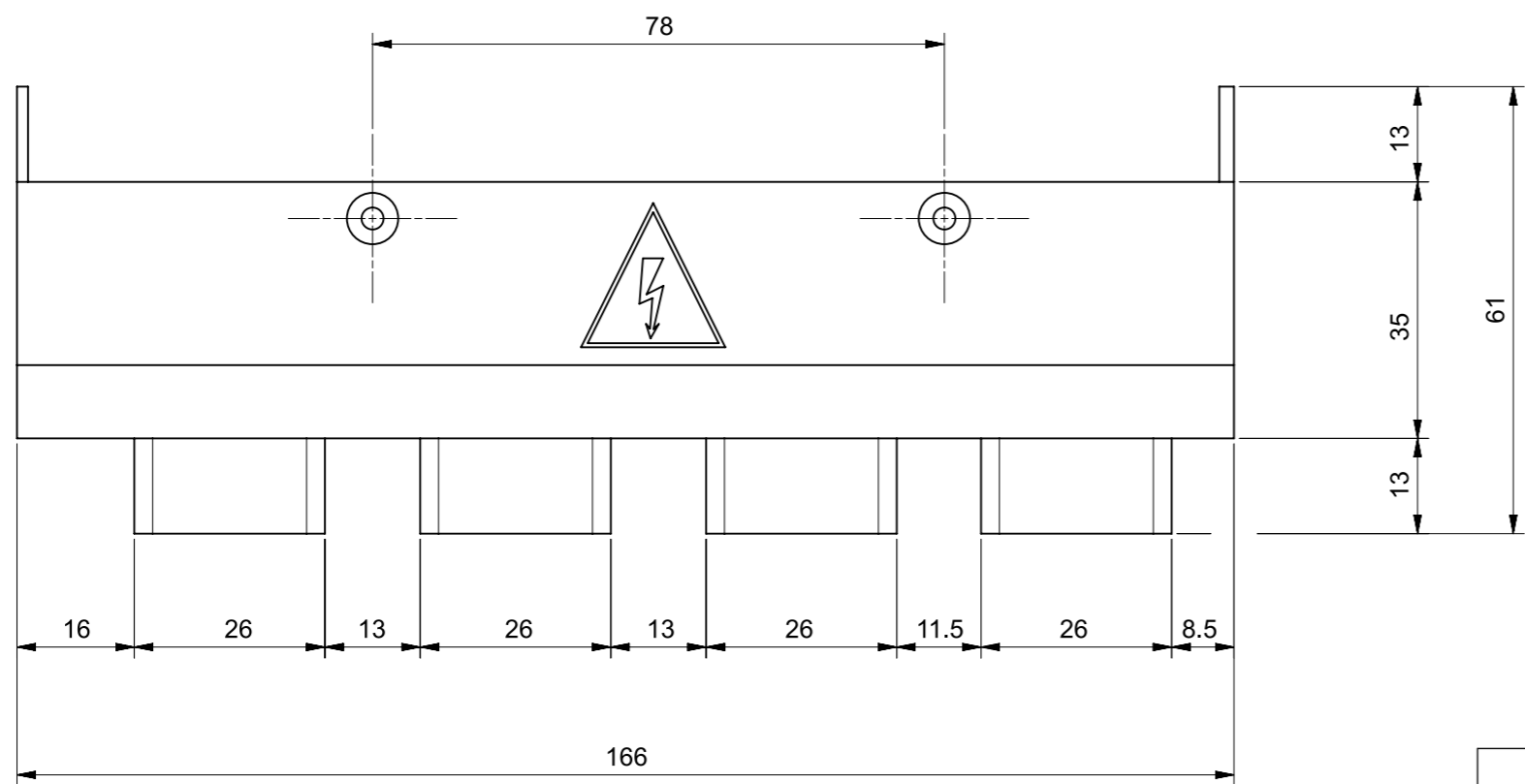
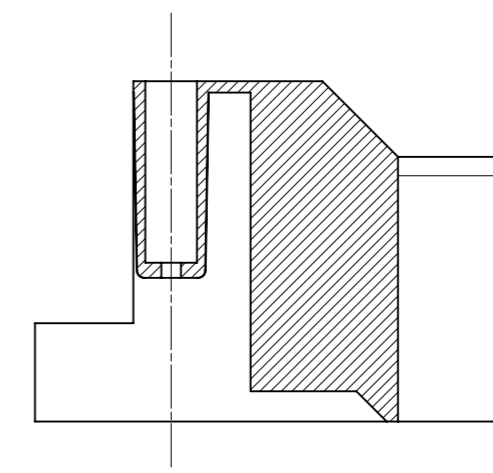
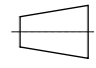




Sezione A-A



SCALA 1:2

At the end of the law, we reserve the ownership of this design may not be copied and transfer it to third parties or competitors	Format	A3	Scale	1:1	Mould N°		Drawn	SCAME	
	Tolerances for linear and angular dimensions without indication of specific tolerances: JS13 / UNI 286-1:2010						 	Date	
								Approved	
 S.p.A. PARRE - (Bergamo)	DESCRIPTION <b>CALOTTA PROTEZIONE COPRITERMINALI SUPERIORI K2</b>						CODICE Sheet 1 / 1 <b>4008724</b>		