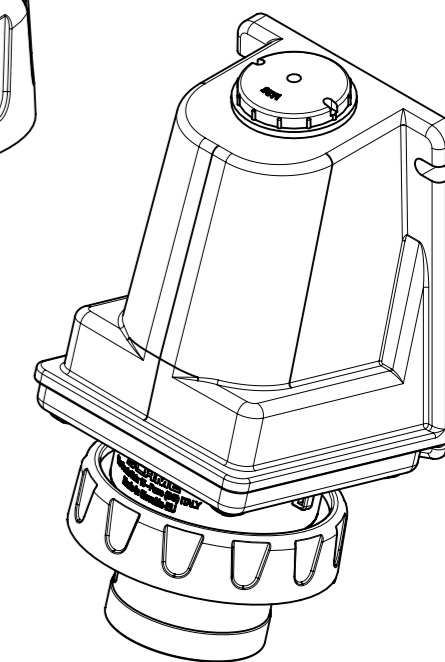
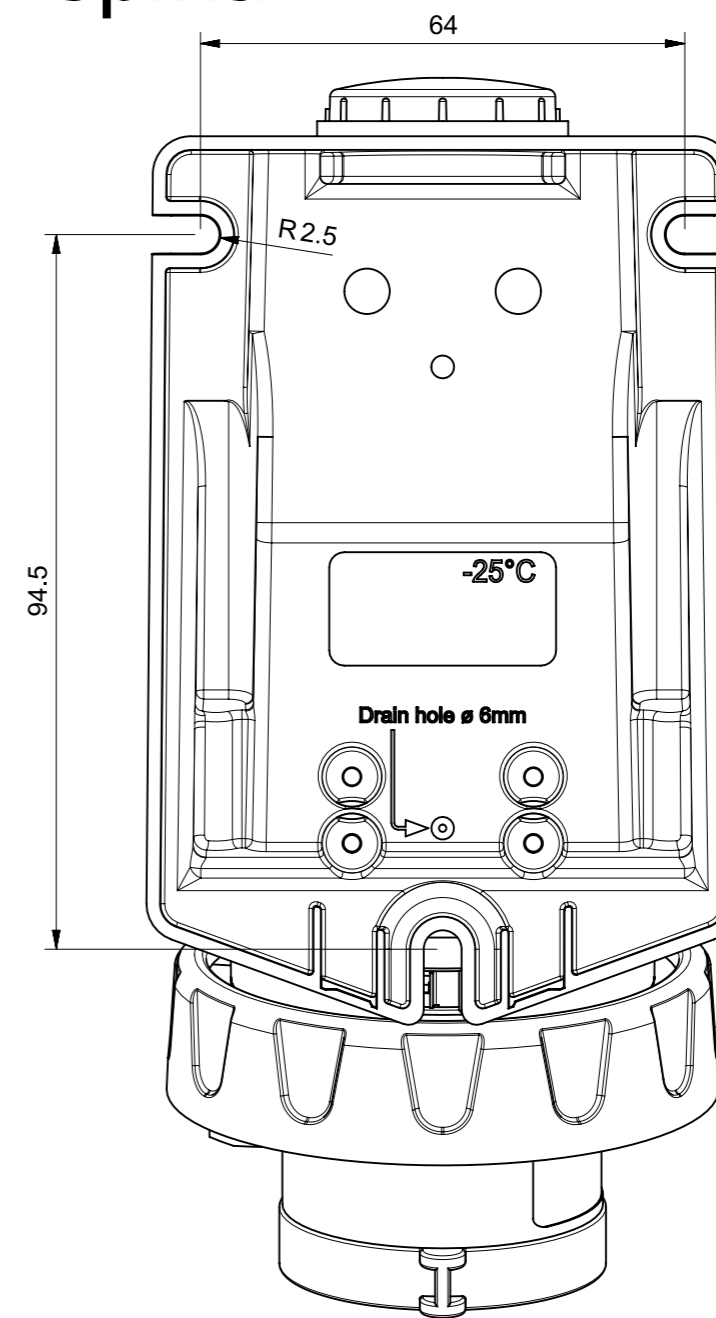


Dima per fissaggio spina



IL DISEGNO SI RIFERISCE ALLA POSIZIONE 6H
THE DWG REFERS TO CLOCK POSITION 6H

At the end of the law, we reserve the ownership of this design may not be copied and transfer it to third parties or competitors	Format	A3	Scale	1:1	Mould N°	Drawn	SCAME
	Tolerances for linear and angular dimensions without indication of specific tolerances: JS13 / UNI 286-1:2010						Date
SCAME S.p.A. PARRE - (Bergamo)	DESCRIPTION					Approved	
	SPINA FISSA DA PARETE 2P+T 16A IP67					CODICE	Sheet 1 / 1