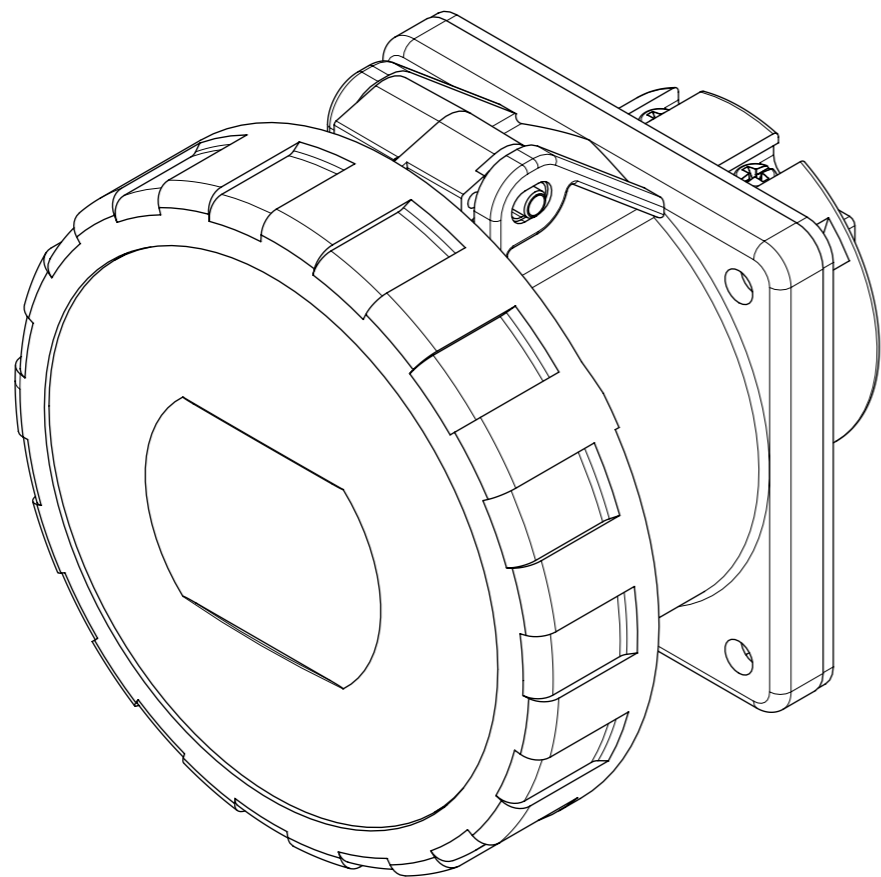
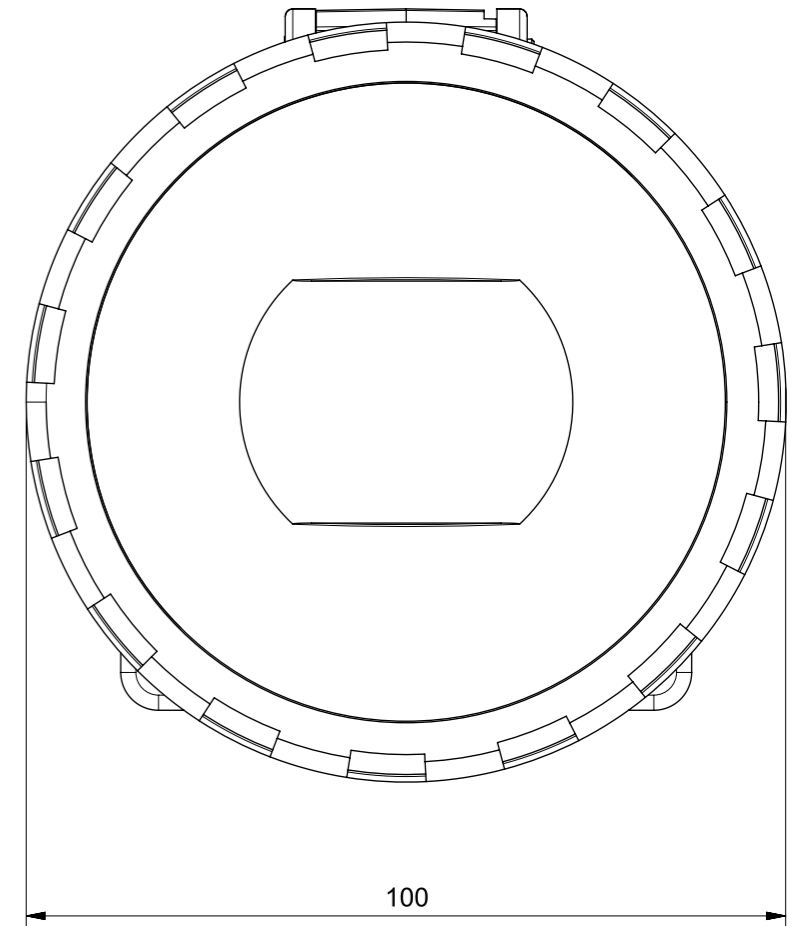
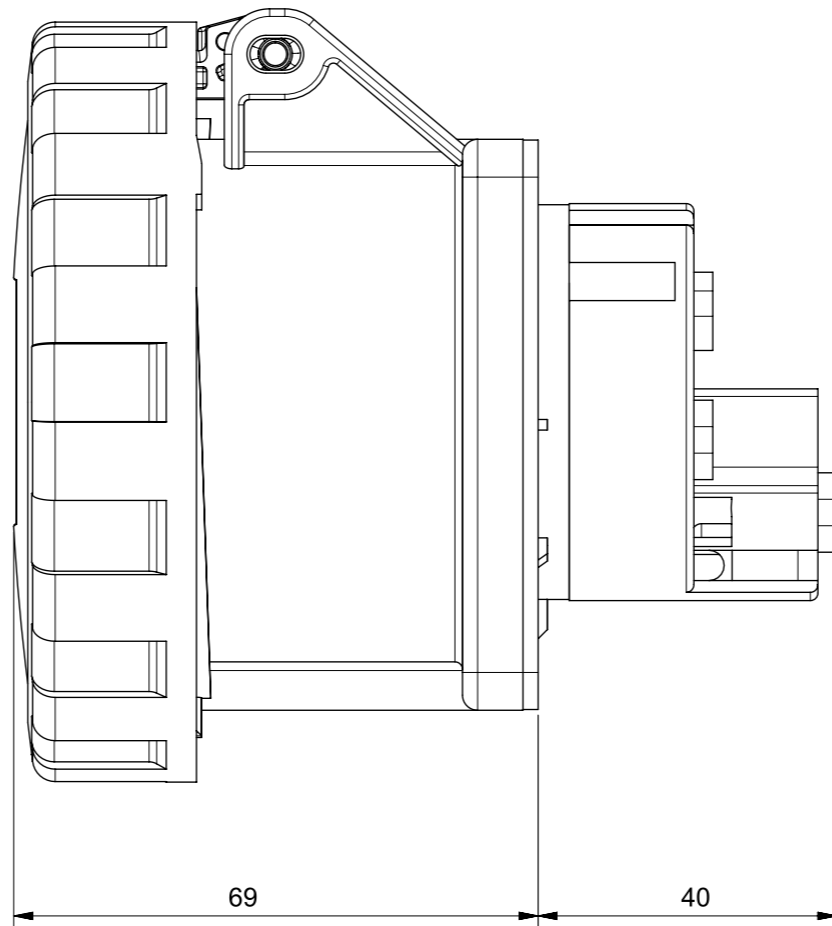


DIAMETRO DI FORATURA PANNELLO  
 PANEL DRILLING HOLE



IL DISEGNO SI RIFERISCE ALLA POSIZIONE 6H  
 DWG REFERS TO CLOCK POSITION 6H

|  |  |    |       |     |          |          |  |          |            |
|--|--|----|-------|-----|----------|----------|--|----------|------------|
| At the end of the law,<br>we reserve the ownership<br>of this design may not<br>be copied and transfer it<br>to third parties or competitors | Format   | A3 | Scale | 1:1 | Mould N° | 1000XXXX | Drawn                                    | SCAME    |            |
|  | Tolerances for linear and angular dimensions without<br>indication of specific tolerances: JS13 / UNI 286-1:2010 |    |       |     |          |          |  | Date     | gg-mm-aaaa |
|  |  |    |       |     |          |          |  | Approved |            |
| <b>SCAME</b><br>S.p.A.<br>PARRE - (Bergamo)  | DESCRIPTION<br><br><b>PRESA INCASSO DIR.3P+N 32A IP67 6H</b>   |    |       |     |          |          | CODICE Sheet 1 / 1<br><br><b>4004595</b> |          |            |