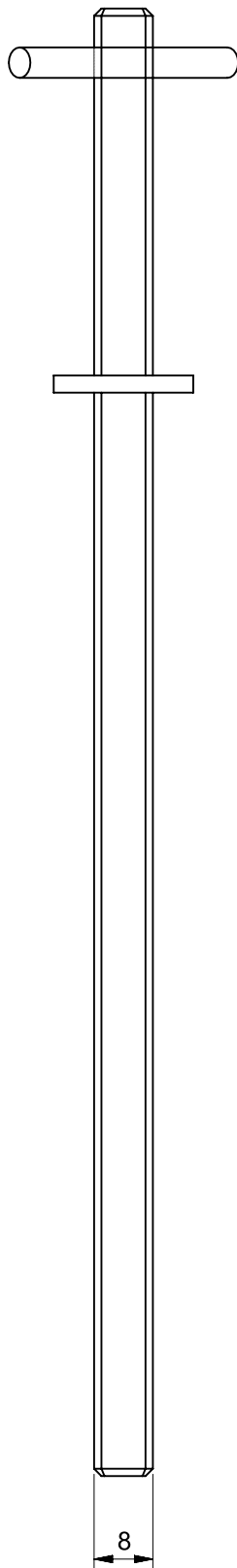
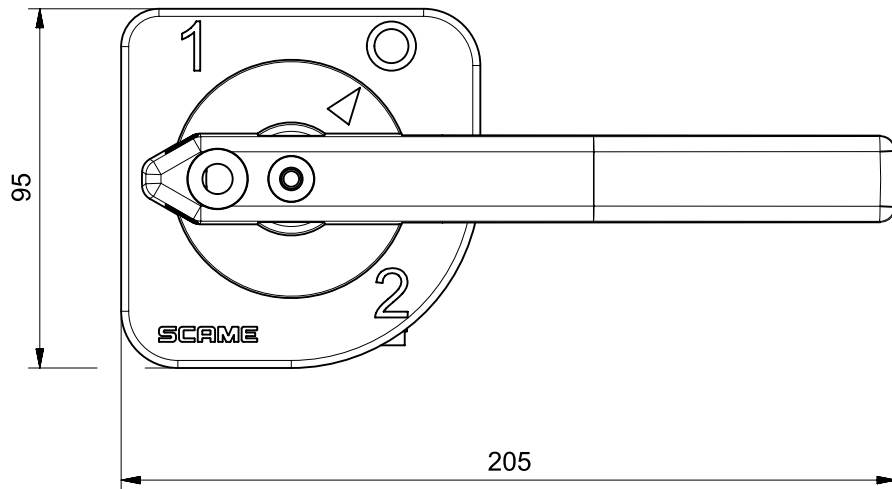
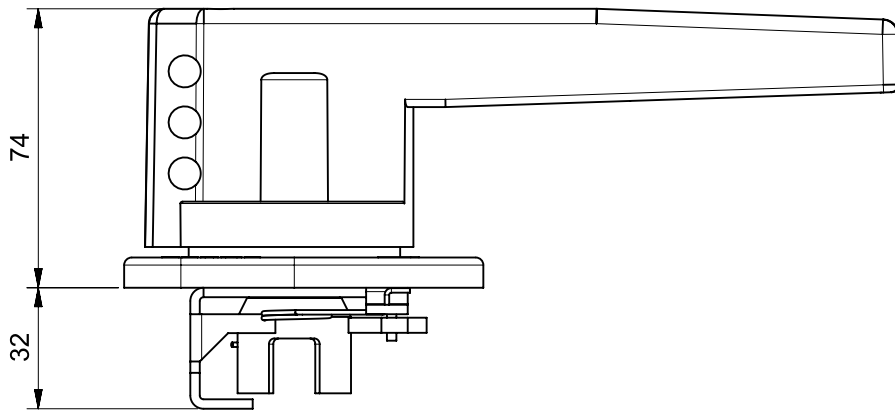


SCALA 1:2

<p>At the end of the law, we reserve the ownership of this design may not be copied and transfer it to third parties or competitors</p> <p>SCAME S.p.A. PARRE - (Bergamo)</p>	Format	A2	Scale	1:1	Mould N°	Drawn	SCAME
	Tolerances for linear and angular dimensions without indication of specific tolerances: JS13 / UNI 286-1:2010					Date	
	DESCRIPTION					Approved	
COMMUTATORE MANUALE AFFIANCATO 3P TAGLIA KA1						CODE	Sheet 1 / 3
							4008746



<p>Under the terms of the law we reserve the ownership of this design may not be copied and transfer it to third parties or competitors</p> <p>SCAME S.p.A. PARRE - (Bergamo)</p>	Format	A4V	Scale	1:1	Mould N°		Drawn	SCAME
	<p>Tolerances for linear and angular dimensions without indication of specific tolerances: JS13 / UNI 286-1:2010</p>						Date	
								Approved
<p>DESCRIPTION</p> <p>COMMUTATORE MANUALE AFFIANCATO 3P TAGLIA KA1</p>							CODE	Sheet 2 / 3
								4008746



<p>Under the terms of the law we reserve the ownership of this design may not be copied and transfer it to third parties or competitors</p> <p>SCAME S.p.A. PARRE - (Bergamo)</p>	Format	A4V	Scale	1:2	Mould N°		Drawn	SCAME
	Tolerances for linear and angular dimensions without indication of specific tolerances: JS13 / UNI 286-1:2010						Date	
								Approved
DESCRIPTION							CODE	Sheet 3 / 3
<p>COMMUTATORE MANUALE AFFIANCATO 3P TAGLIA KA1</p>							<p>4008746</p>	