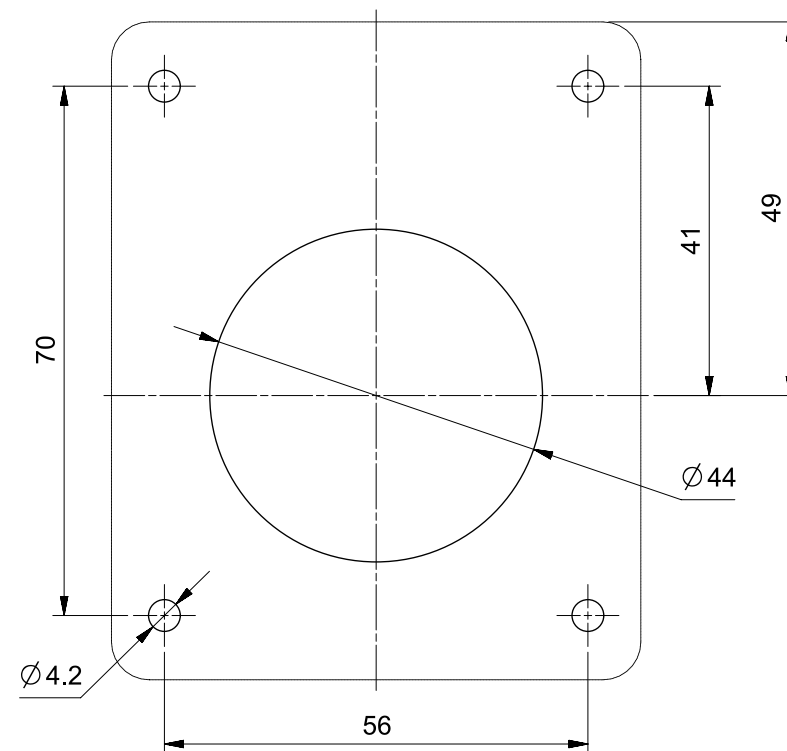
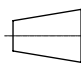



DIMA DI FORATURA  
DRILLING TEMPLATE



<p>At the end of the law, we reserve the ownership of this design may not be copied and transfer it to third parties or competitors</p>	Format	A4O	Scale	1:1	Mould N°	1000XXXX	Drawn	SCAME
	<p>Tolerances for linear and angular dimensions without indication of specific tolerances: JS13 / UNI 286-1:2010</p>						 	Date
<p><b>SCAME</b> S.p.A. PARRE - (Bergamo)</p>	<p>DESCRIPTION</p> <p><b>PRESA UNEL 16A</b></p>						Approved	
							CODE	Sheet 1 / 1