

Corp de iluminat cu montaj aparent sau suspendat, tip:
Luminaire with visible mounting or suspended mounting, type:

FIPAD-06
ECOLED

Instructiuni de montare si exploatare

Mounting and operating instructions
Instructions de montage
Montageanleitung

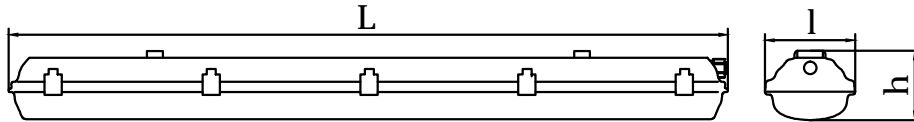


FIPAD-06 ECOLEDG2 4K 0,6M	●		-25...+35°C	~1,30	230V	18	66	LED	●	●	SR EN 60598-1
FIPAD-06 ECOLEDG2 4K 1,2M	●		-25...+35°C	~2,30	230V	26	66	LED	●	●	SR EN 60598-2-1
FIPAD-06 ECOLEDG2 4K 1,5M	●		-25...+35°C	~3,00	230V	36	66	LED	●	●	

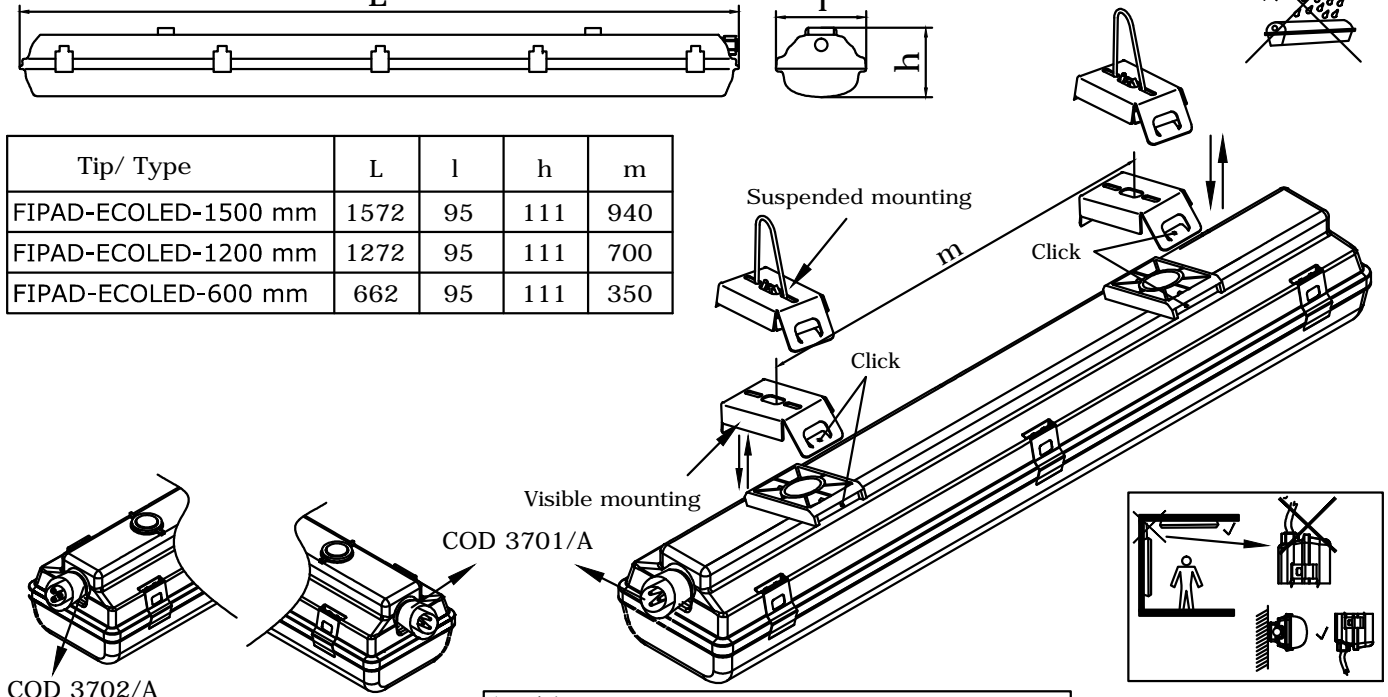


ATENȚIE! ATTENTION!

Deschiderea compartimentului optic duce la pierderea garantiei. NU SE DESCHIDE!
Opening the optical compartment void the warranty. DO NOT OPEN.



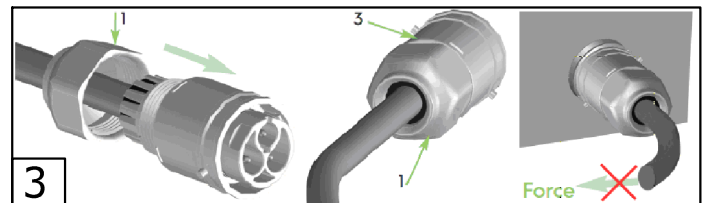
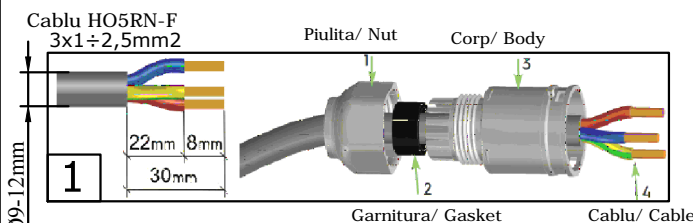
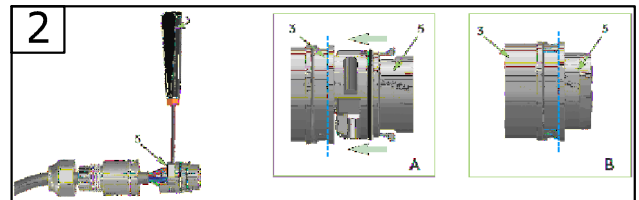
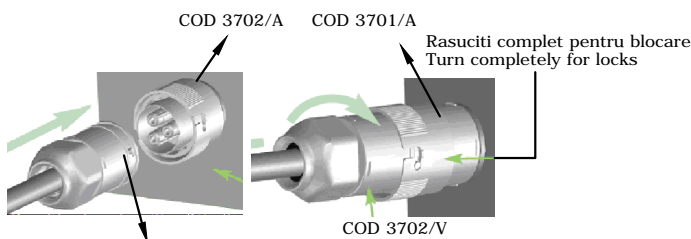
Tip/ Type	L	l	h	m
FIPAD-ECOLED-1500 mm	1572	95	111	940
FIPAD-ECOLED-1200 mm	1272	95	111	700
FIPAD-ECOLED-600 mm	662	95	111	350



Atentie!
Pentru corpurile cu functionare in iluminat de siguranta vezi ANEXA nr. IME-1922

Attention!
For emergency lighting luminaires see the ANEXA no. IME-1922

Borne cu surub/ Screw terminals (5)



Atentie, risc de soc electric!
Toate operatiile de montare si intretinere in exploatare se vor efectua in lipsa tensiunii electrice si numai de catre persoane autorizate!
Sursa de lumina continuta in acest corp de iluminat va fi inlocuita numai de producator sau de agentul sau de service sau de o persoana calificata similara
Caution, risk of electric shock!
All installation and maintenance operations will be performed in absence of operating voltage and only by authorized personnel!
The light source contained in this luminaire shall only be replaced by the manufacturer or his service agent or a similar qualified person.

Acest simbol aplicat pe produs este in conformitate cu Directiva Europeana 2002/96/CE, privind deseurile echipamentelor electrice si electronice rezultate din dezmembrarea produselor uzate si indica faptul ca produsul face obiectul unei colectari separate. Pentru prevenirea distrugerii mediului inconjurator si sanatatii umane, va rugam sa nu eliminati acest produs ca deeu nesortat. In vederea unei reciclari sigure din punct de vedere al mediului, utilizatorii de echipamente electrice si electronice trebuie sa predea deseurile acestora la punctele de colectare selectiva special amenajate de catre autoritatile administratiei publice locale.

This symbol applied on the product complies with European Directive 2002/96/EC, regarding electrical and electronic waste products resulting from the dismantling and indicates that the product has a separate collection. To prevent the damages on the environment and human health, do not dispose of this product as unsorted waste. For a safe recycling, the electric and electronic equipment end-users must contact the local authorities for details concerning a safe recycling.