


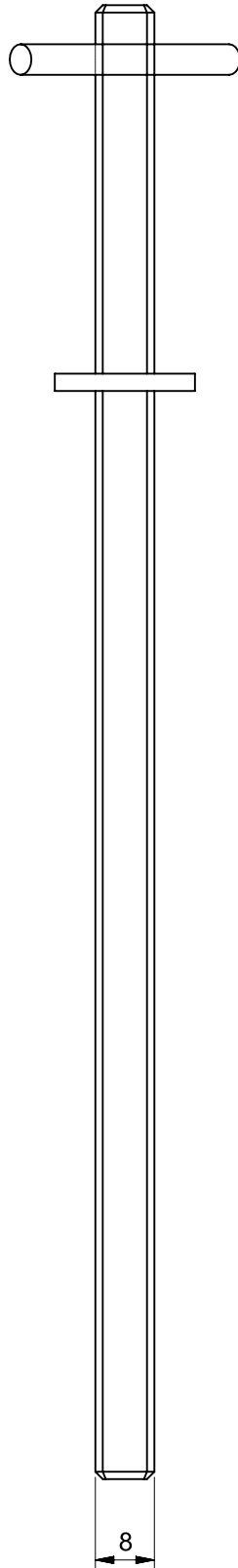
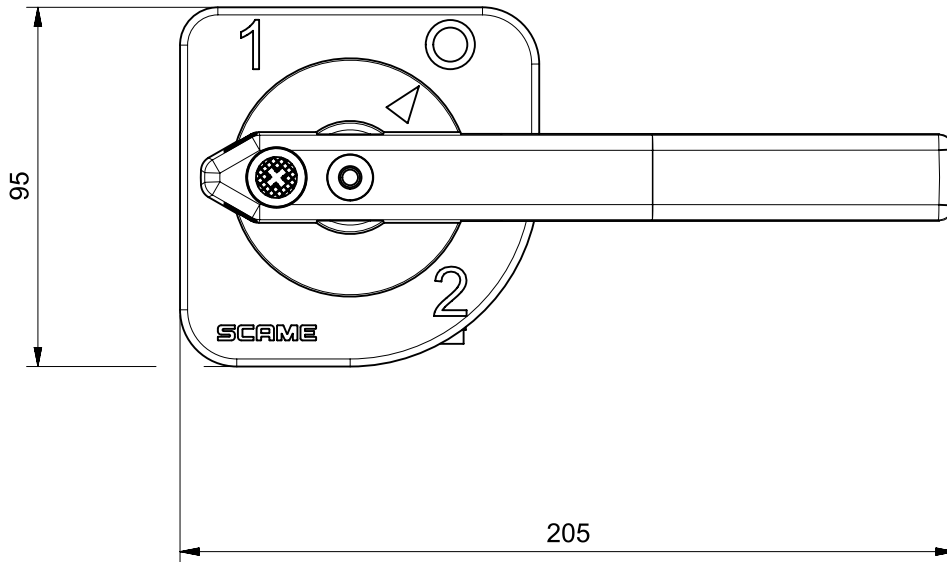
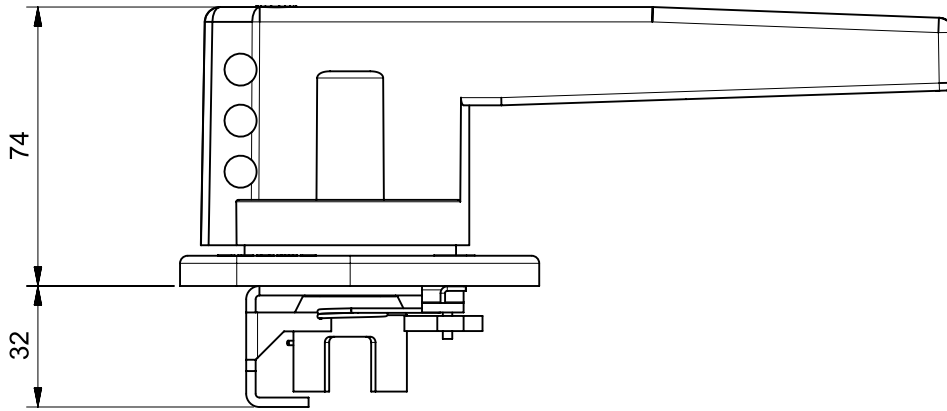


SCALA 1:2

At the end of the law, we reserve the ownership of this design may not be copied and transfer it to third parties or competitors	Format	A2	Scale	1:1	Mould N°		Drawn	SCAME	
	Tolerances for linear and angular dimensions without indication of specific tolerances: JS13 / UNI 286-1:2010							Date	
 S.p.A. PARRE - (Bergamo)	DESCRIPTION							Approved	
	COMMUTATORE MANUALE AFFIANCATO 3P+N TAGLIA KA1							CODE	Sheet 1 / 3



<p>Under the terms of the law we reserve the ownership of this design may not be copied and transfer it to third parties or competitors</p> <p>SCAME S.p.A. PARRE - (Bergamo)</p>	Format	A4V	Scale	1:1	Mould N°		Drawn	SCAME
	Tolerances for linear and angular dimensions without indication of specific tolerances: JS13 / UNI 286-1:2010						Date	
								Approved
DESCRIPTION							CODE	Sheet 2 / 3
<p>COMMUTATORE MANUALE AFFIANCATO 3P+N TAGLIA KA1</p>							<p>4008747</p>	



<p>Under the terms of the law we reserve the ownership of this design may not be copied and transfer it to third parties or competitors</p> <p>SCAME S.p.A. PARRE - (Bergamo)</p>	Format	A4V	Scale	1:2	Mould N°	1000XXXX	Drawn	Disegnatore
	Tolerances for linear and angular dimensions without indication of specific tolerances: JS13 / UNI 286-1:2010						Date	gg-mm-aaaa
								Approved
DESCRIPTION							CODE	Sheet 3 / 3
Descrizione							Codice	