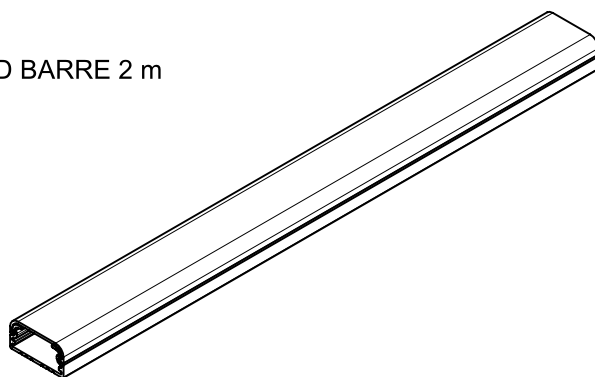
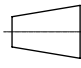
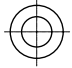


LUNGHEZZA STANDARD BARRE 2 m



<p>At the end of the law, we reserve the ownership of this design may not be copied and transfer it to third parties or competitors</p> <p>SCAME S.p.A. PARRE - (Bergamo)</p>	Format	A4V	Scale	2:1	Mould N°	1000XXXX	Drawn	SCAME
	Tolerances for linear and angular dimensions without indication of specific tolerances: JS13 / UNI 286-1:2010					 	Date	gg-mm-aaaa
								Approved
DESCRIPTION							CODE	Sheet 1 / 1
MINICANALE 20x10							4007201	