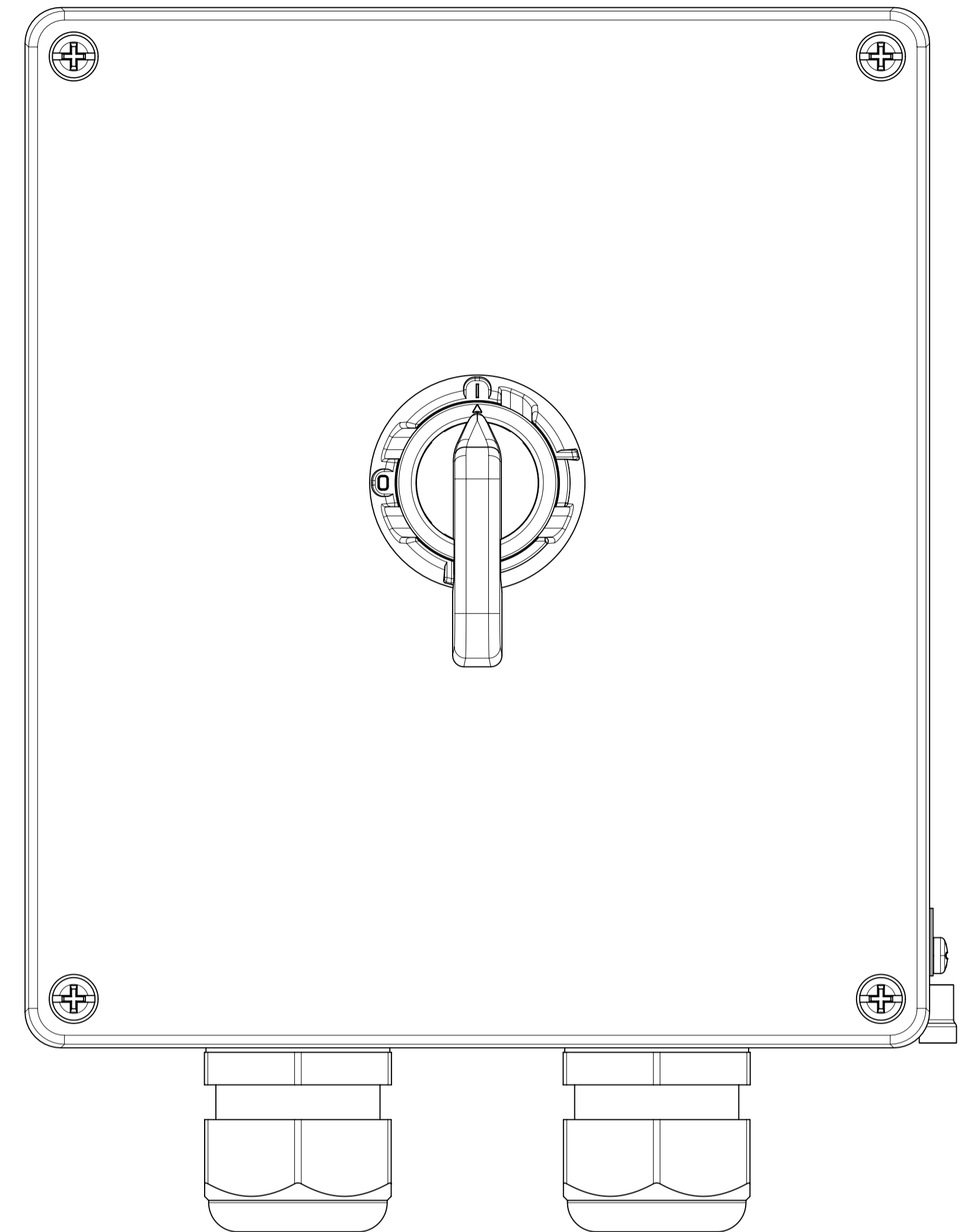
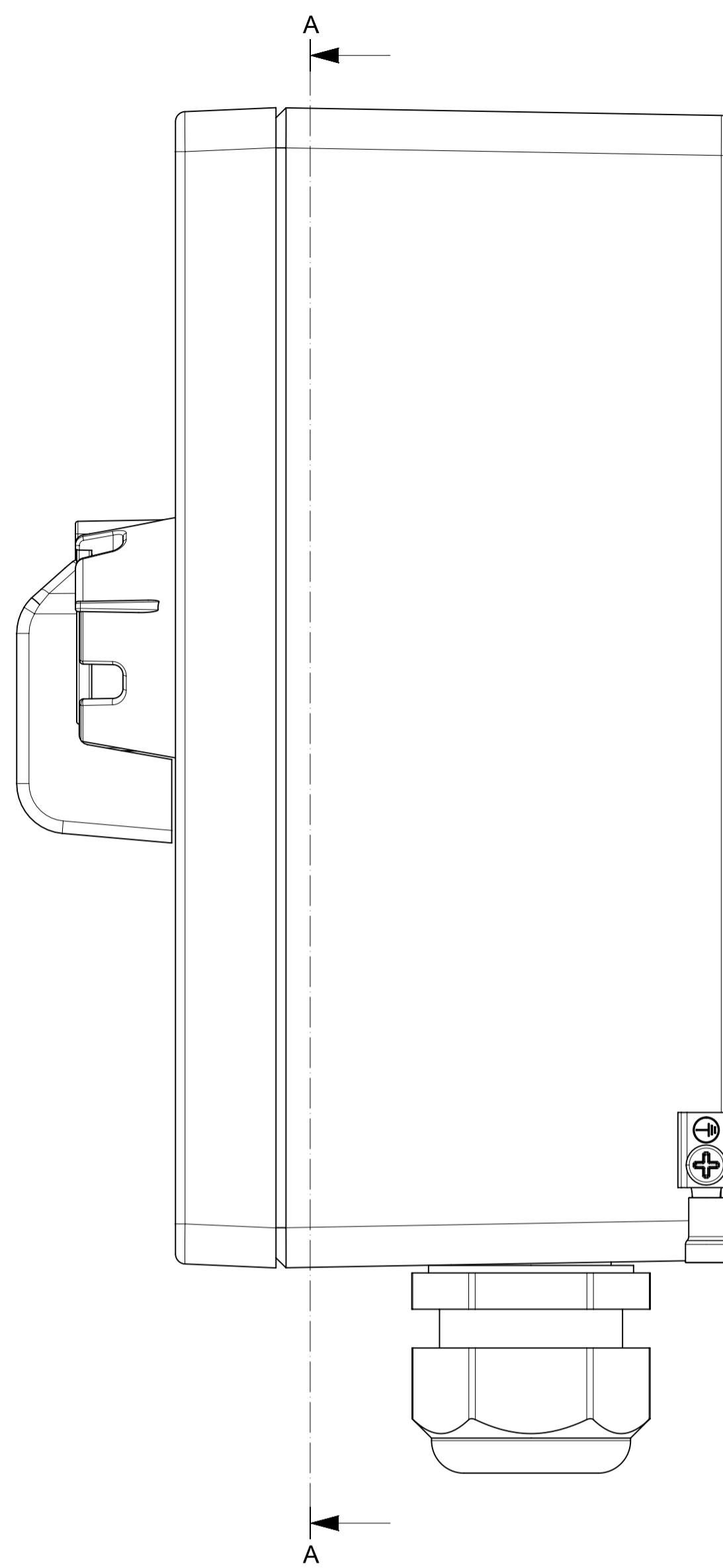
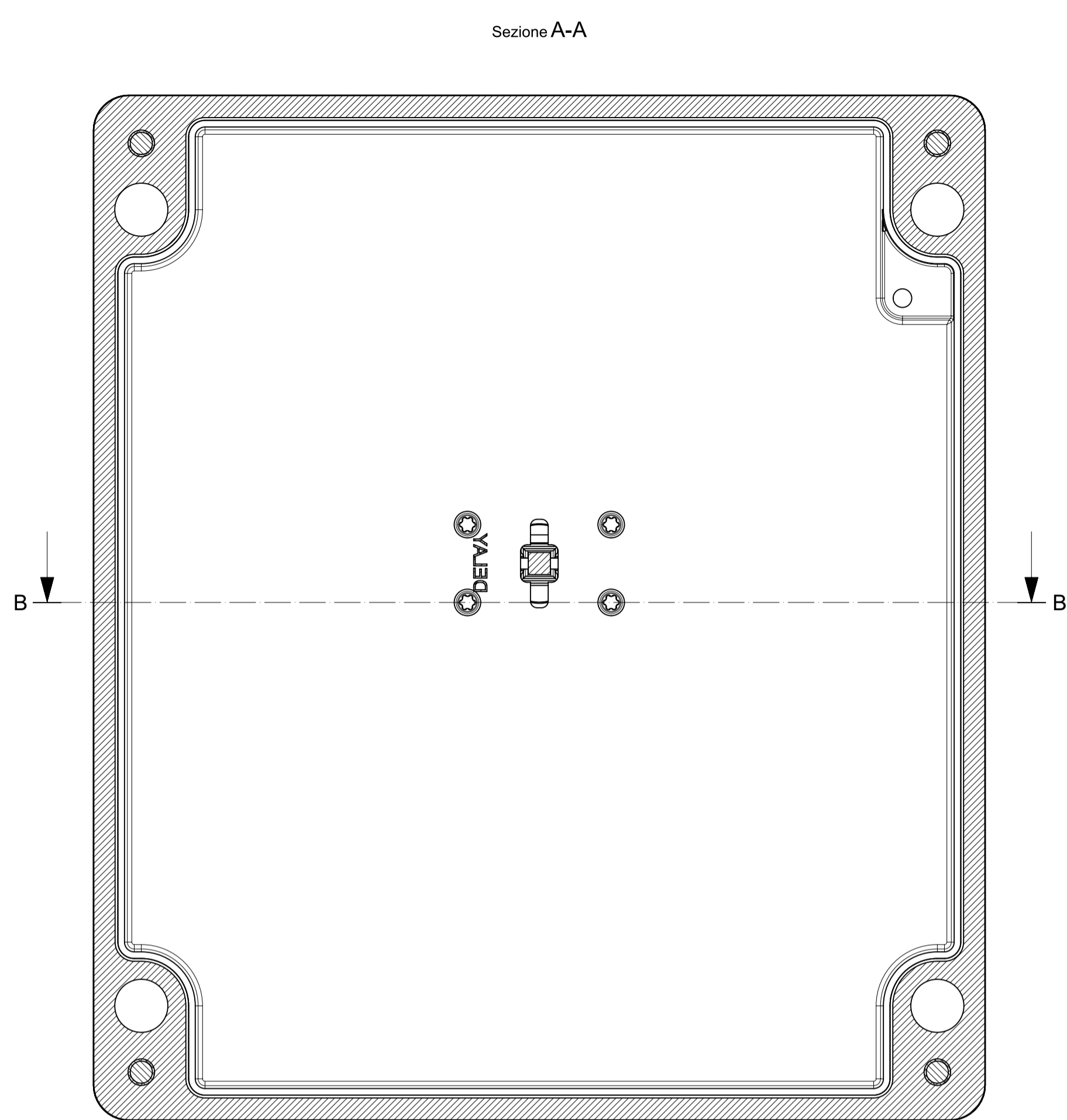
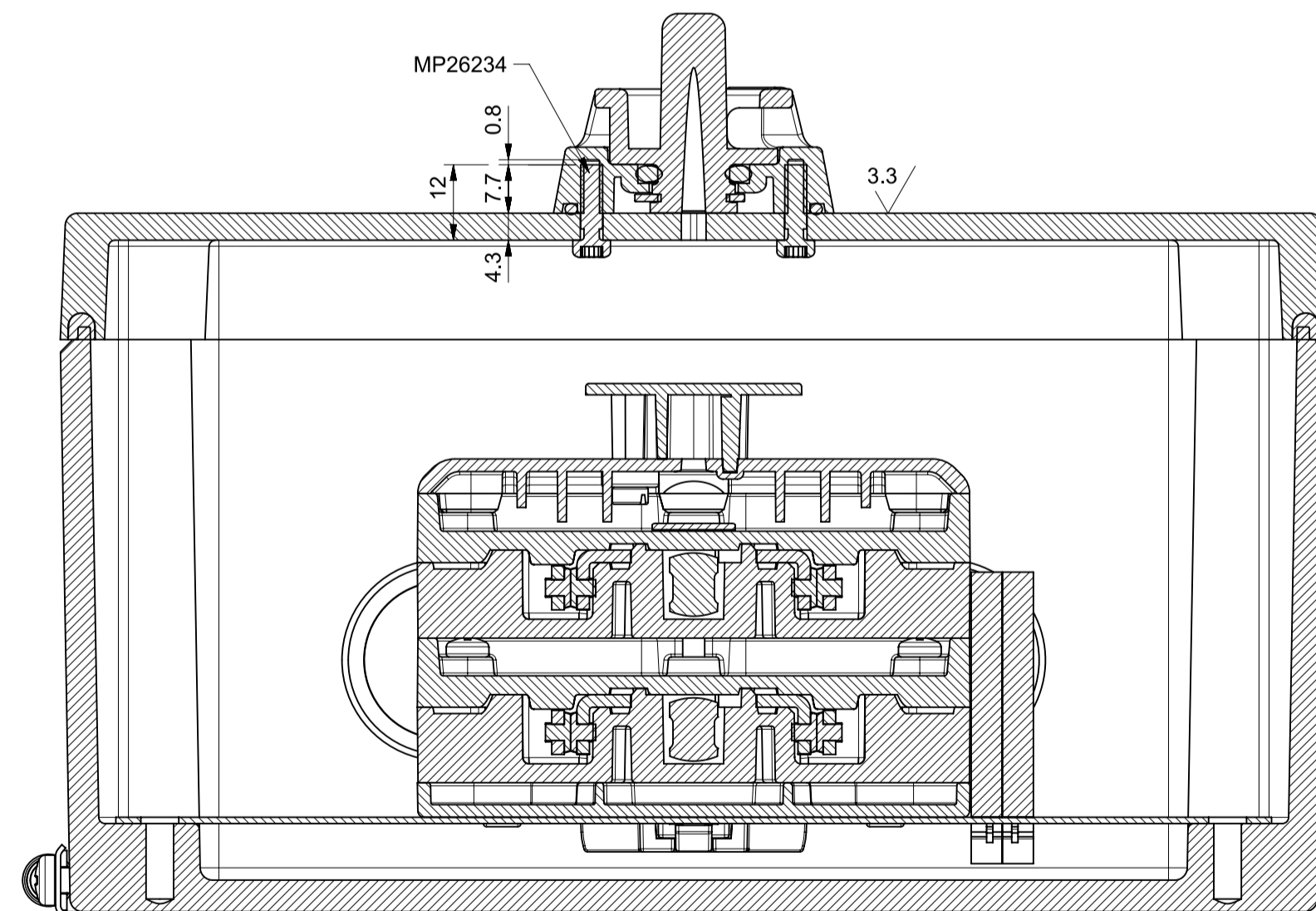


Sezione A-A



CASSETTA AL Sezione B-B



Under the terms of the law we reserve the ownership of this design may not be copied and transfer it to third parties or competitors SCAME S.p.A. PARRE - (Bergamo)	Format	A1	Scale	1:1	Mould N°		Drawn	SCAME
	Tolerances for linear and angular dimensions without indication of specific tolerances: JS13 / UNI 286-1:2010							Date
DESCRIPTION ISOLATORS GD ZONA1 AL 32A								CODE 4000143_01
								Sheet 1 / 1