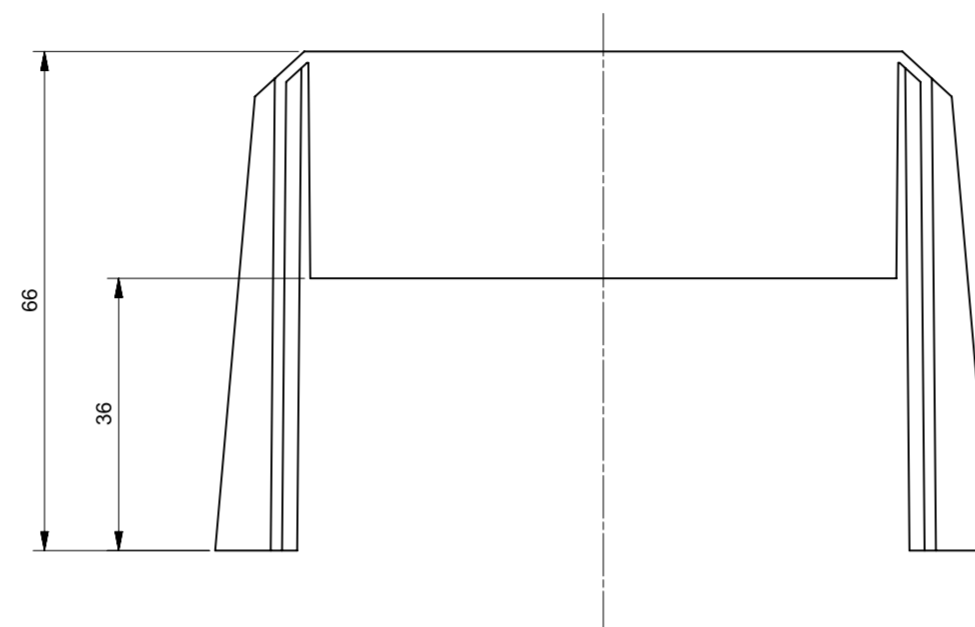
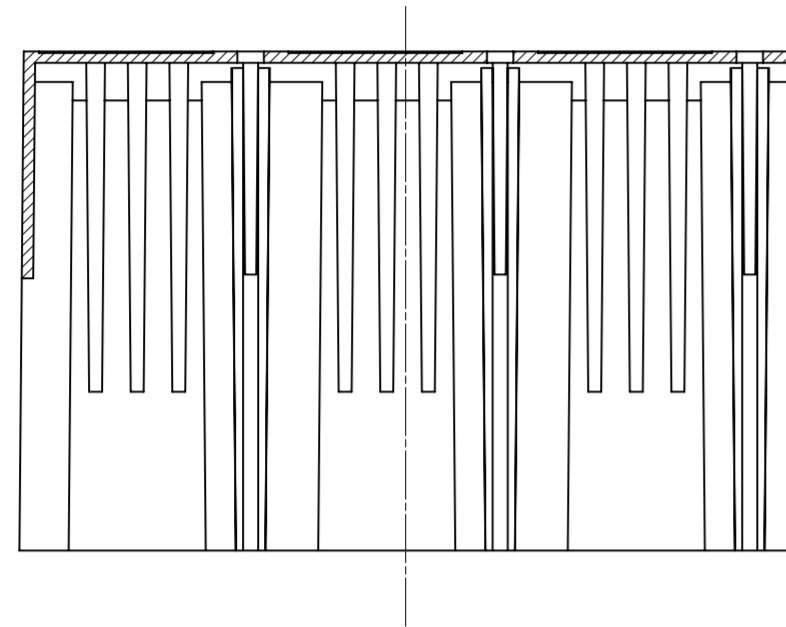
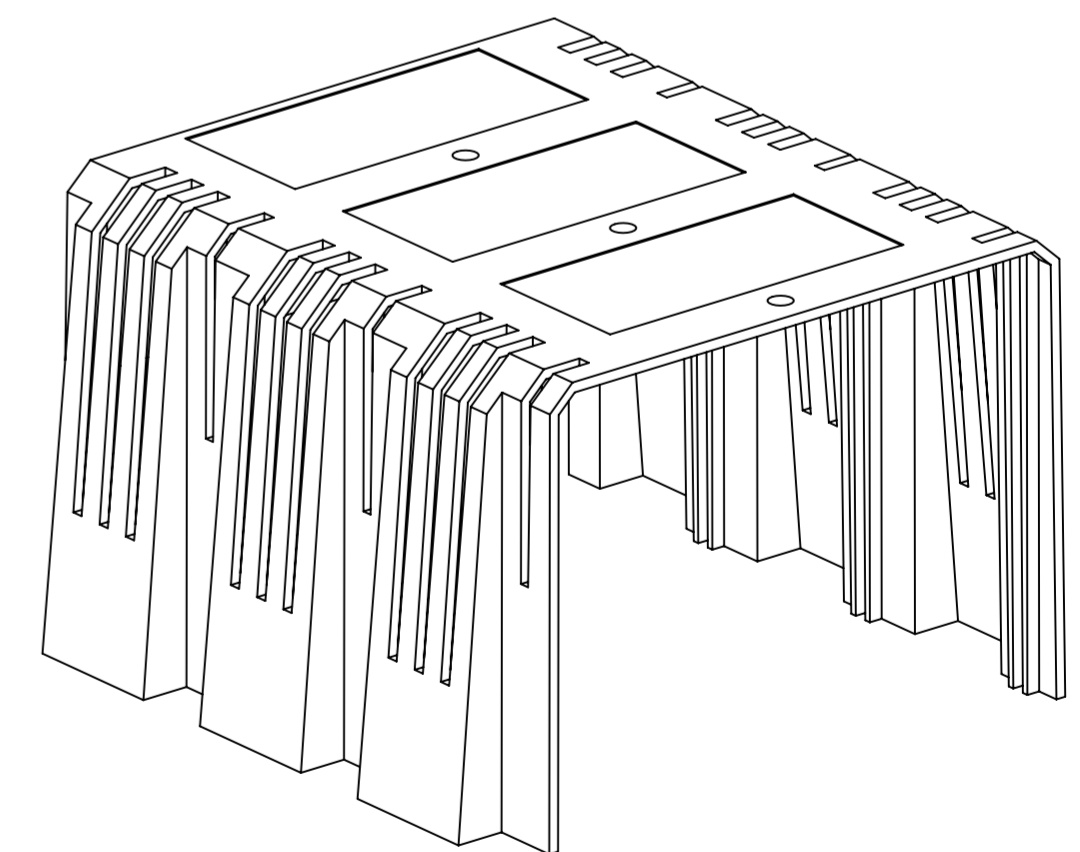
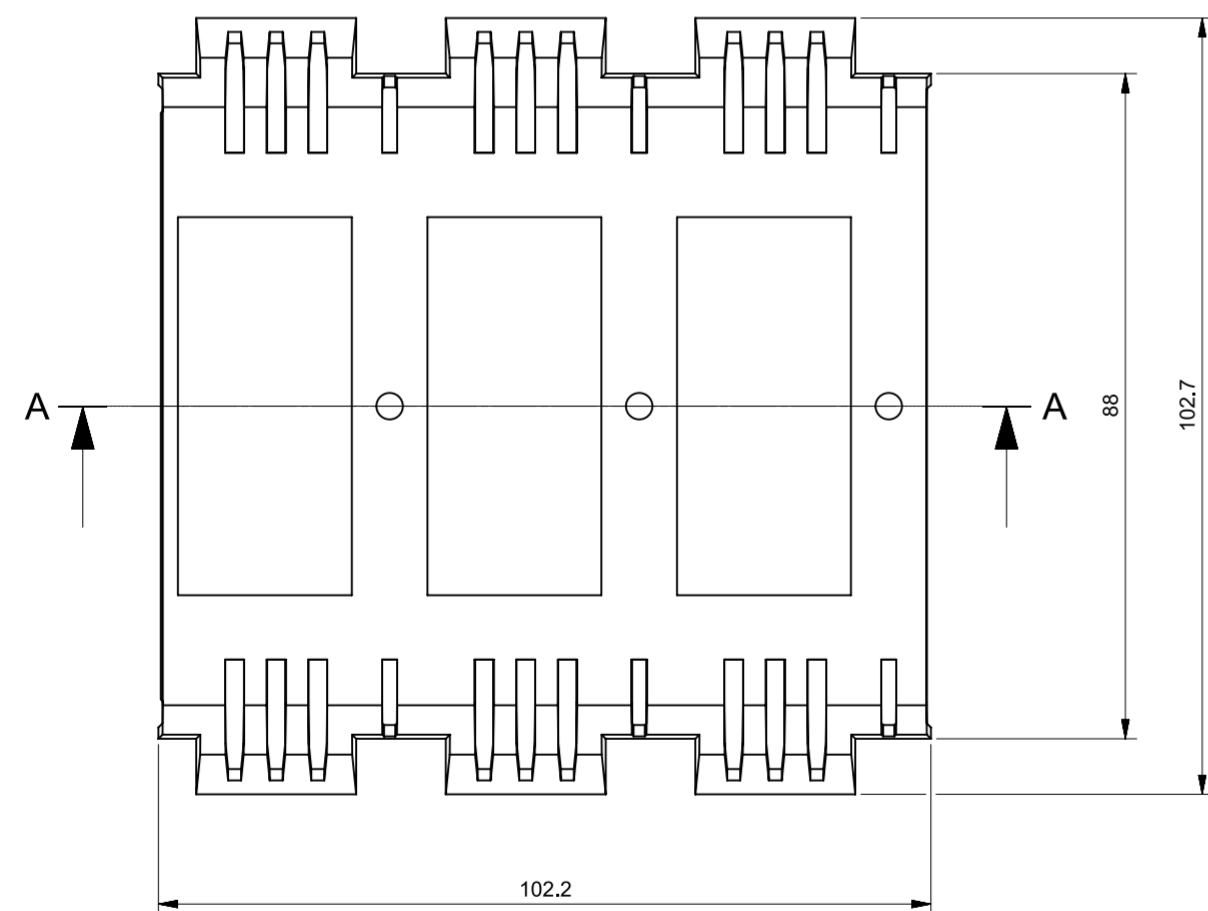
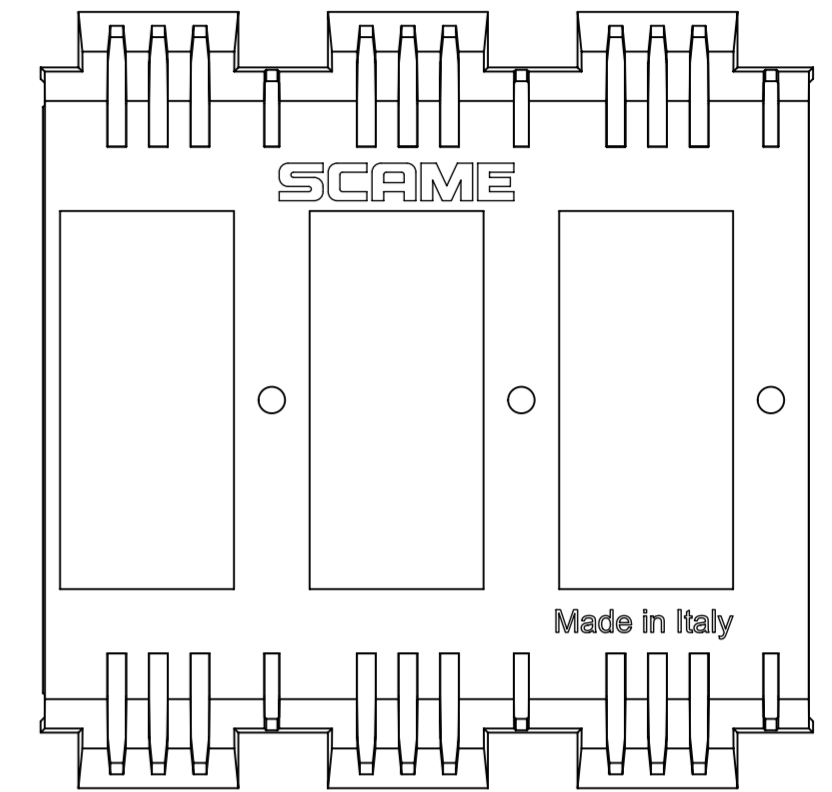


Sezione A-A



DETTAGLIO LASERATURE



<p>At the end of the law, we reserve the ownership of this design may not be copied and transfer it to third parties or competitors</p> <p>SCAME S.p.A. PARRE - (Bergamo)</p>	Format	A2	Scale	1:1	Mould N°	Drawn	SCAME	
	Tolerances for linear and angular dimensions without indication of specific tolerances: JS13 / UNI 286-1:2010						Date	
	DESCRIPTION						Approved	
<p>SCHERMO DI PROTEZIONE FUSIBILI PER SEZIONATORE KF1</p>						CODE	Sheet 1 / 1 4005736	