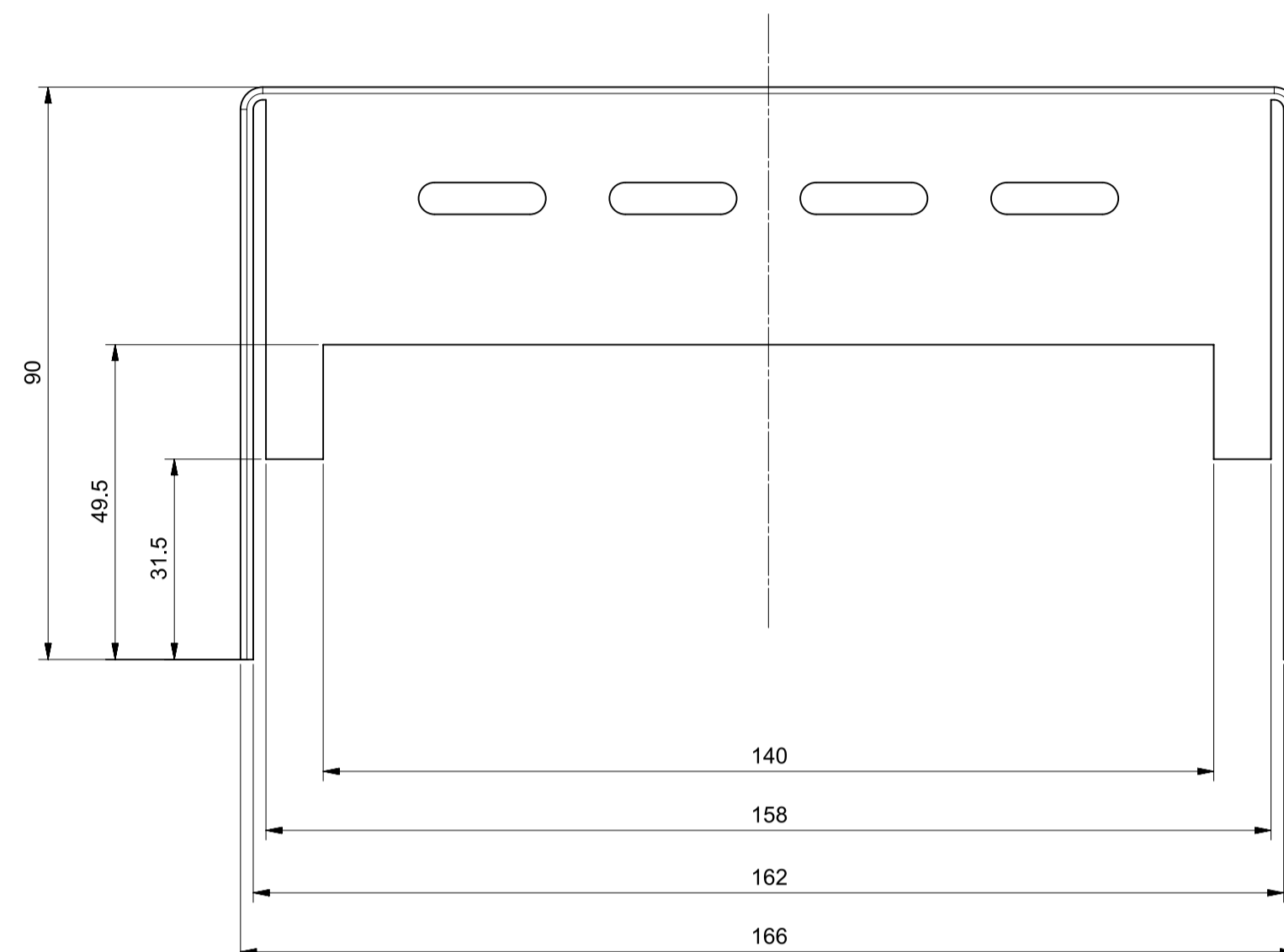
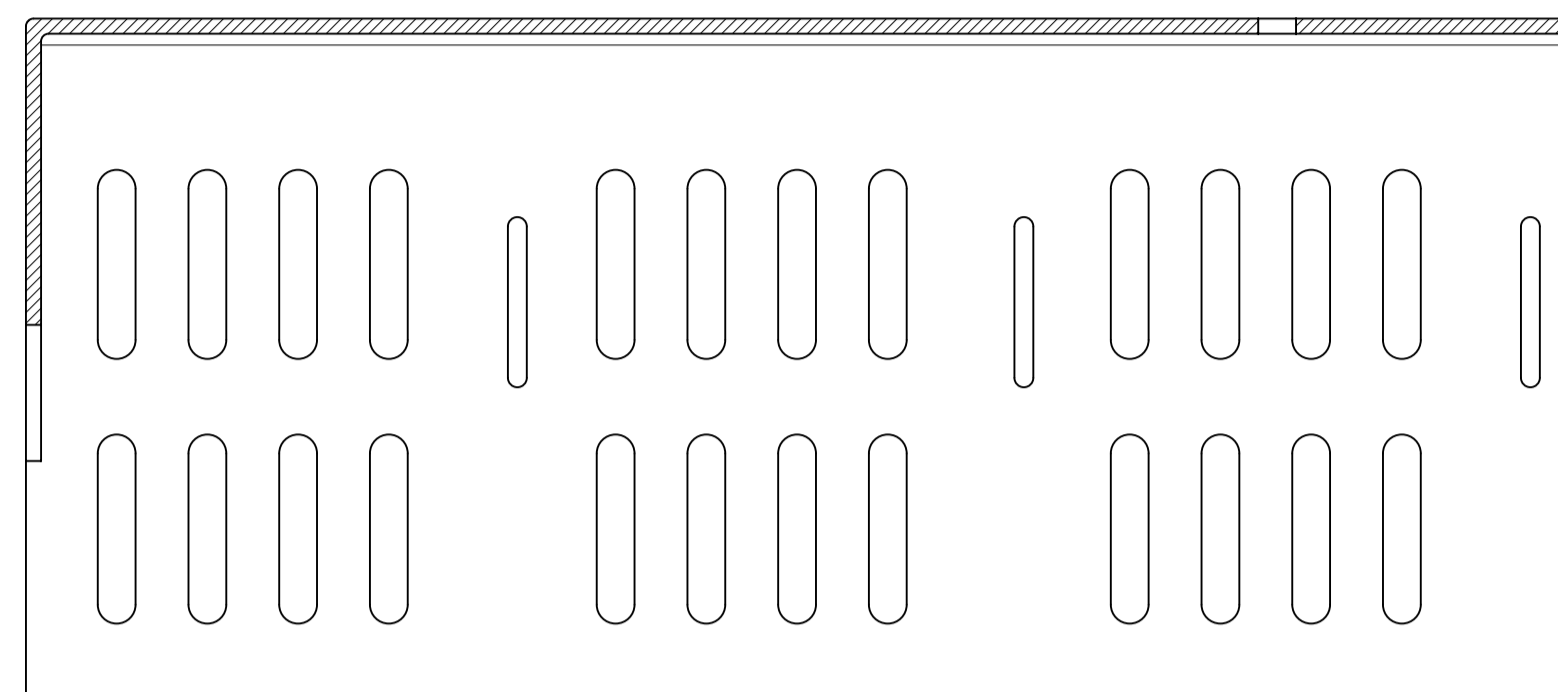
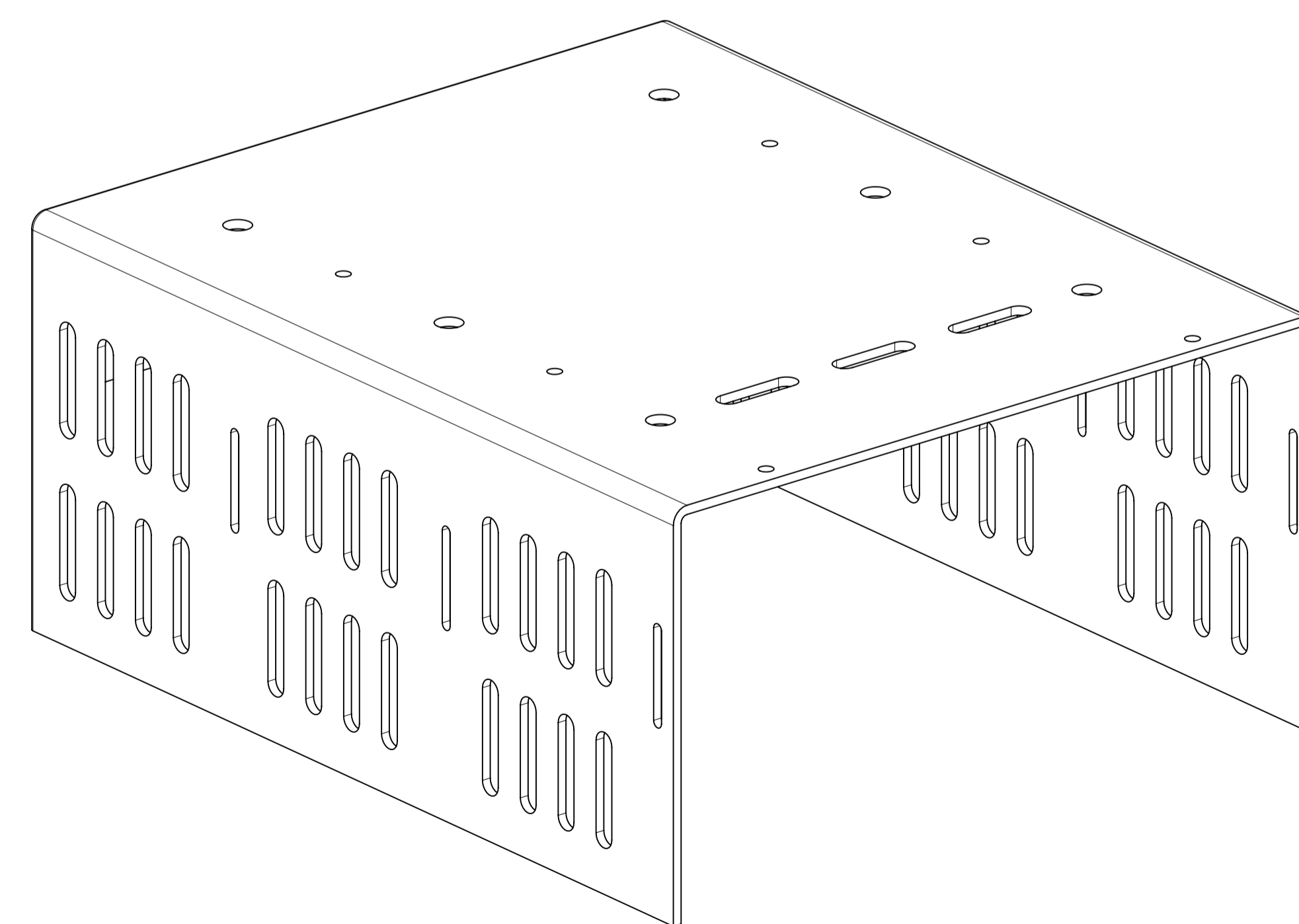
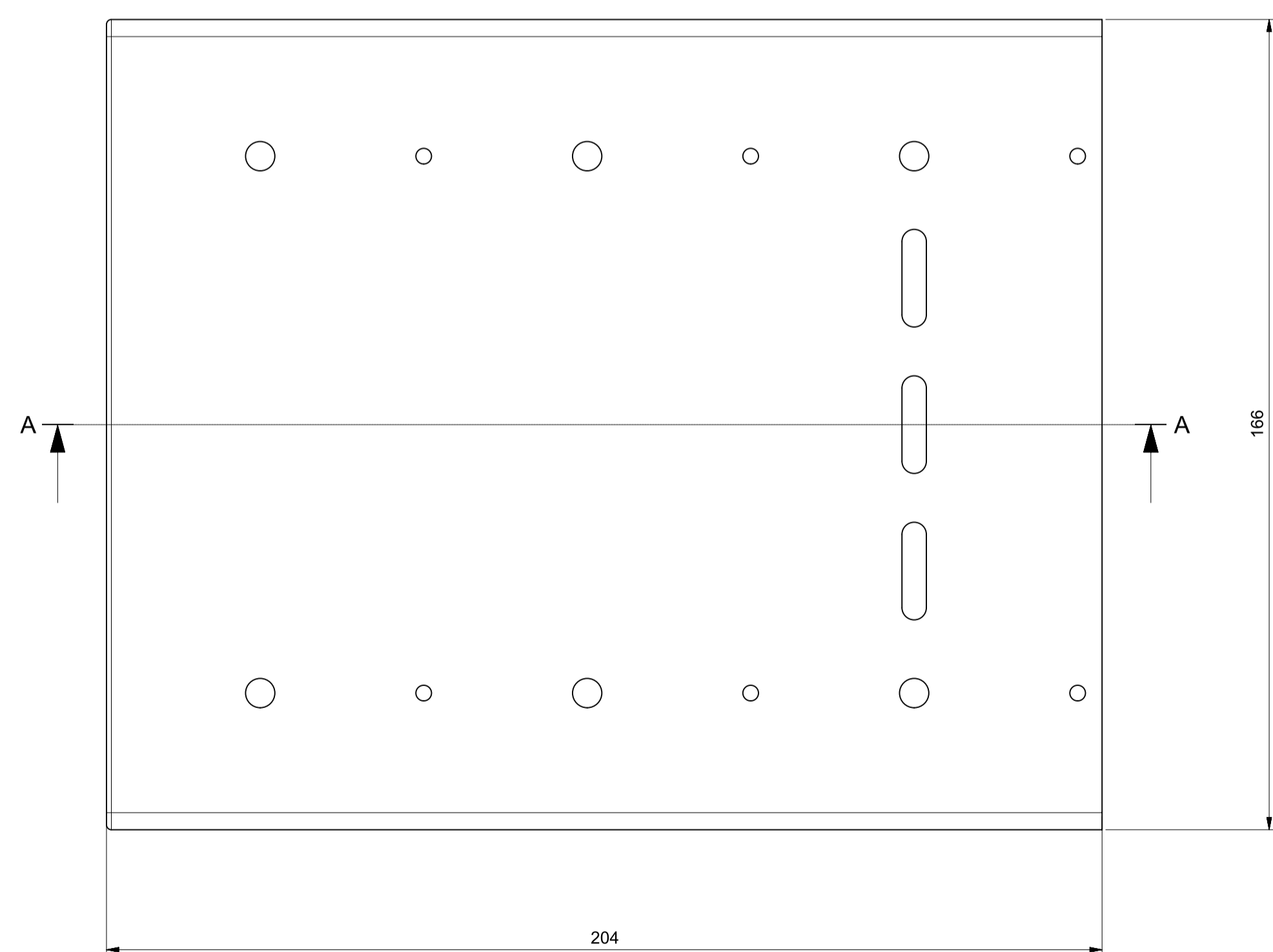
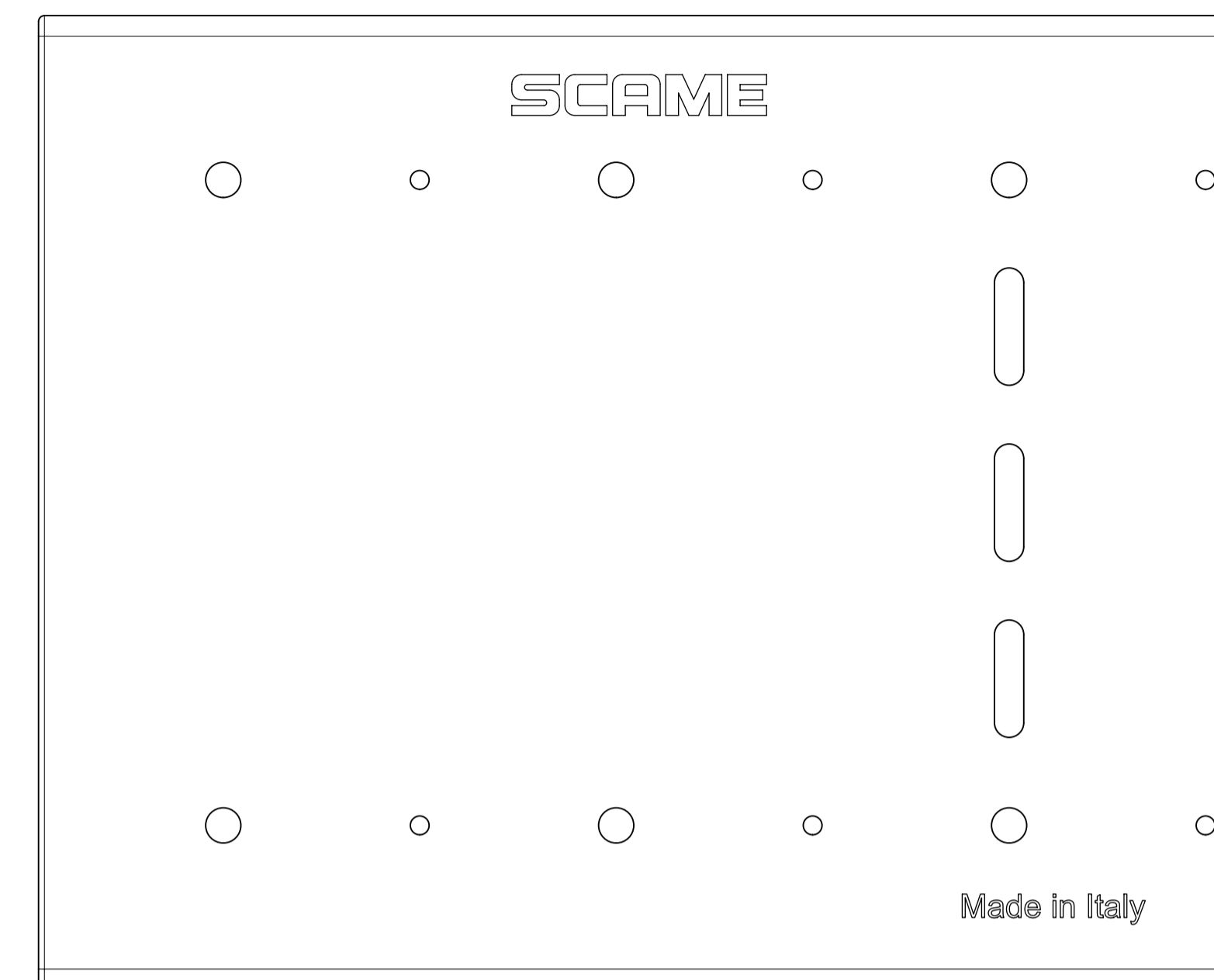


Sezione A-A



DETTAGLIO LASERATURA



At the end of the law, we reserve the ownership of this design may not be copied and transfer it to third parties or competitors	Format	A1	Scale	1:1	Mould N°		Drawn	SCAME	
	Tolerances for linear and angular dimensions without indication of specific tolerances: JS13 / UNI 286-1:2010							Date	
SCAME S.p.A. PARRE - (Bergamo)	DESCRIPTION							CODE	Sheet 1 / 1
	SCHERMO PROTEZIONE FUSIBILI PER SEZIONATORE KF4							4005739	