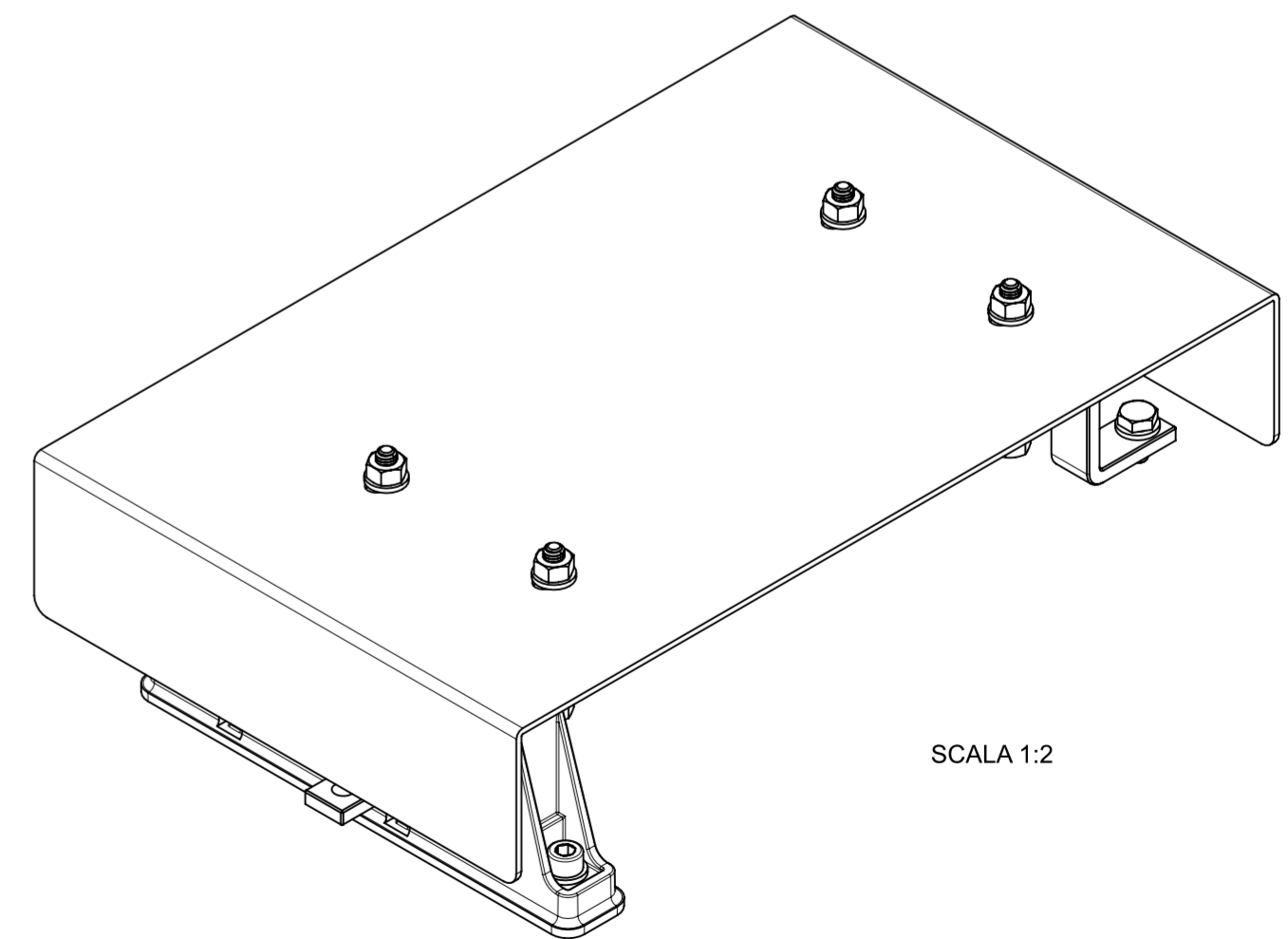
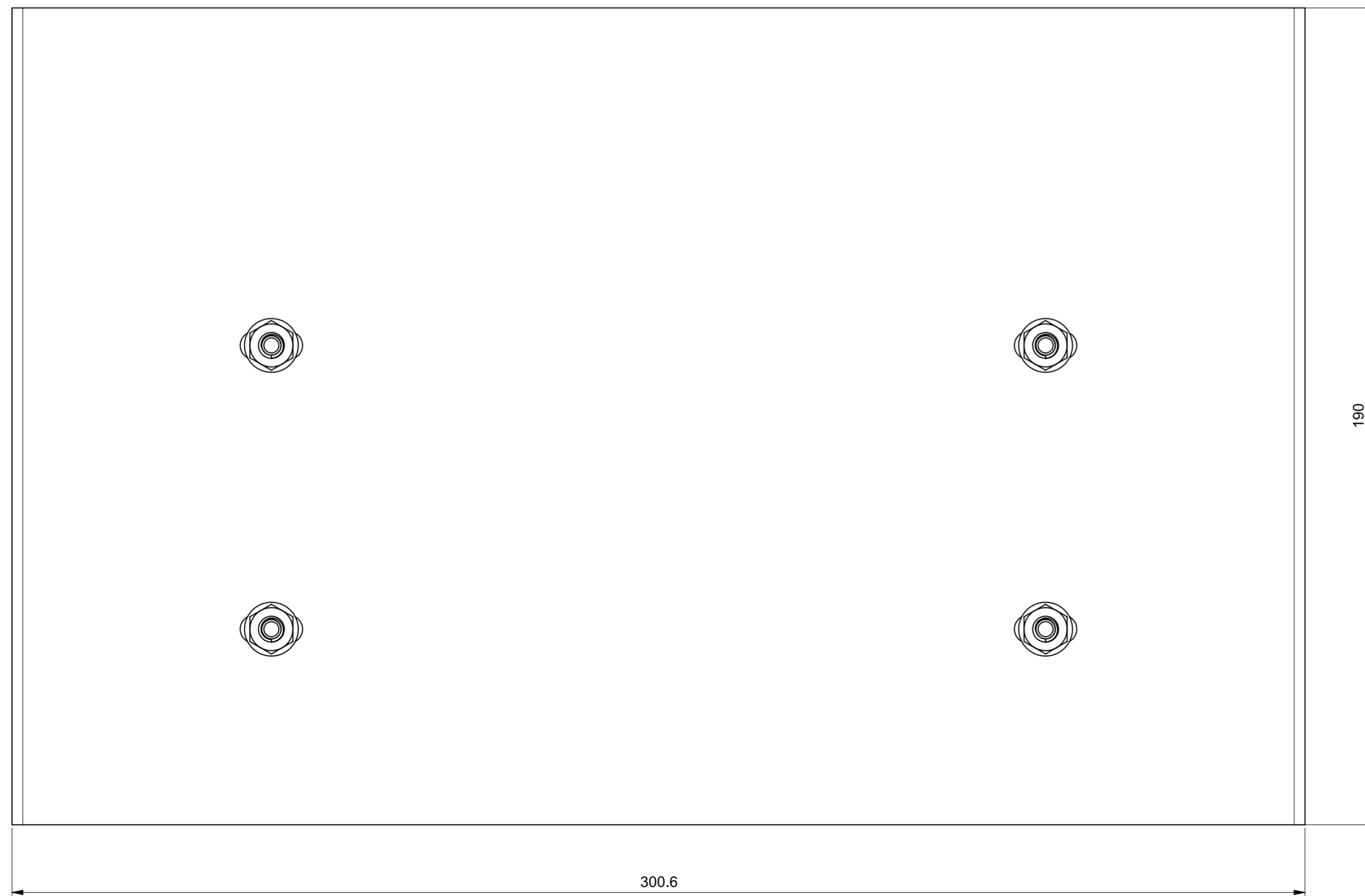


LATO PER CONNESSIONE
CON SEZIONATORE TAGLIA K1



<p>At the end of the law, we reserve the ownership of this design may not be copied and transfer it to third parties or competitors</p> <p>SCAME S.p.A. PARRE - (Bergamo)</p>	Format	A2	Scale	1:1	Mould N°	Drawn	SCAME
	Tolerances for linear and angular dimensions without indication of specific tolerances: JS13 / UNI 286-1:2010					Date	
						Approved	
DESCRIPTION		KIT BARRE DISTRIBUZIONE x SEZ. TAGLIA K1 - 3P				CODE	Sheet 1 / 1
							4008551