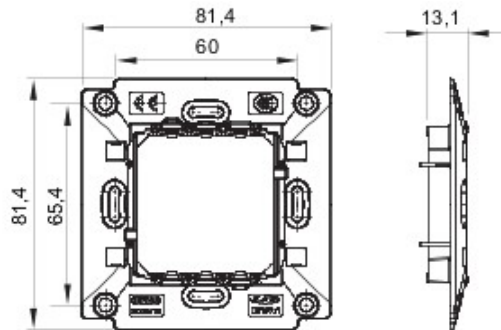


Wiring devices system characterized by its profile and shape inspired to the Chorus family feeling. Wide range of plates with an Italian design, articulated into two families, GEO and LUX cover plates, available in many materials and finishes. The range is available in three colors: glossy white, satin black, painted titanium and fits in 3x3 inches (1-gang) and 3x6 inches (2-gang) British Standard boxes. Range expandable thanks to the Chorus modular devices.

Descriere	2 modul	Caracteristici	Fără halogen
Prindere	Cu șuruburi (6/32x23 incluse)	Pentru doză	1 gang british standard
Glow test conductori	650 °C	Termo-presiune cu bilă	70 °C
Standard	EN 60669-1	Electrocod	0122

### DIMENSIONAL



### TECHNICAL SYMBOLOGY



GWT

650 °C



70 °C

### STANDARDS/APPROVALS



GEWISS S.p.A. Via A. Volta, 1  
24069 Cenate Sotto - Bergamo - Italy  
tel. +39 035 94 61 11 fax +39 035 94 69 09

www.gewiss.com  
sat@gewiss.com  
Last update 19/08/2021

Data, measures, designs and pictures are shown only as informative purposes, and could be changed without previous notice