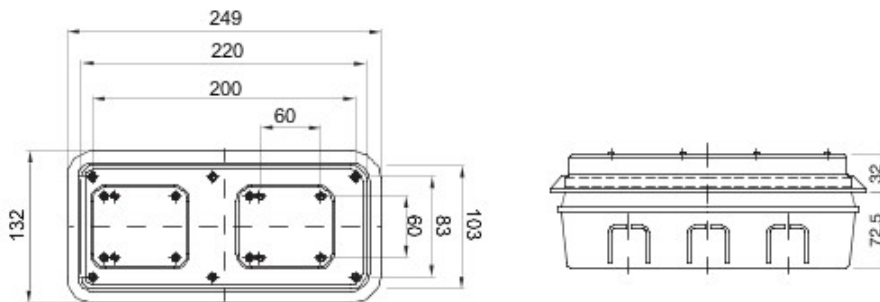


Pentru pereți	Rigips	Glow Test conductori	650 °C
Clasă de protecție IP	IP55	Cod IK	IK08
Electrocod	2222	Prize IB poziționabile	N. 1 IEC 309 16-32A IP44/67 + N.1 16A max 3P+t sau GW27401/GW27403
Drilling bottom	Through multidiameter cutter	Minimum installation temperature	-15°C

DIMENSIONAL



TECHNICAL SYMBOLOGY

GWT **IP** **IK**

650 °C

IP55

IK08

STANDARDS/APPROVALS



GEWISS S.p.A. Via A. Volta, 1
24069 Cenate Sotto - Bergamo - Italy
tel. +39 035 94 61 11 fax +39 035 94 69 09

www.gewiss.com
sat@gewiss.com
Last update 19/08/2021

Data, measures, designs and pictures are shown only as informative purposes, and could be changed without previous notice