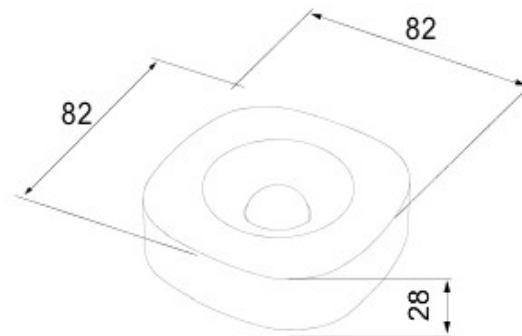




A system of command and control wireless devices based on Zigbee technology that offers innovative solutions for the renovation of buildings, minimizing the structural interventions. Zigbee is a safe and reliable system because the data exchanged are encrypted and every node of the network always ensures reachability among all the devices (mesh network). The Zigbee devices enrich the range of home&building automation solutions by Gewiss and can be managed via App, with smartphone and tablet, through the Smart Gateway.

Categorie	Motion sensor	Culoare	Alb
Protocol de comunicații	Zigbee (IEEE 802.15.4)	Tensiune de alimentare	Battery powered
Alimentare Baterii	CR123 replaceable	Output power	3 dBm
Senzor luminozitate	3...70.000 lux	Distanță max.	6 m
Horizontal bearing angle	± 45°	Vertical bearing angle	± 45°
Temperature sensor	0...50 °C	Standard	2014/53/EU, EN 60669-2-1, ETSI EN 300 328
Clasă de protecție IP	IP30	Temperatură de funcționare	0 ÷ +50 °C
Temperatură de stocare	-20 ÷ +80 °C	Relative humidity (non-condensative)	10 ÷ 95%
Dimensiuni LxHxP (mm)	82x82x28	Electrocod	051A

#### DIMENSIONAL



#### TECHNICAL SYMBOLOGY

**IP**

IP30

#### STANDARDS/APPROVALS

