

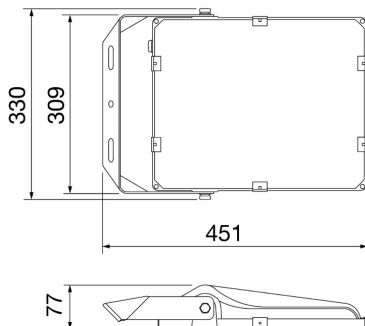
### ELIA FL - Floodlight LED



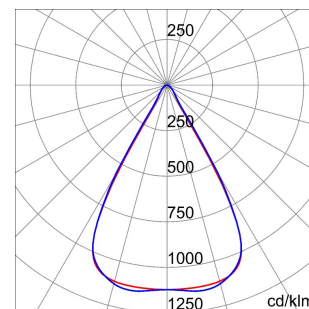
ELIA FL is a LED outdoor floodlight available in low, medium and high power versions for lighting external industrial areas, such as car parks and walkways or driveways. It can be mounted on surfaces, ceilings or on the ground using the adjustable steel bracket supplied with the device, or in the pole head version, courtesy of the dedicated accessory for poles with a diameter of up to 61mm. Crafted from black powder-coated die-cast aluminium, it is available in four sizes and powers, with integrated power supply in the On/Off or DALI options, three types of optic (30°, 60° and asymmetrical) with a colour temperature of 4,000K (neutral white) and a colour rendering index of more than 80. Tough and durable, ELIA FL has been designed to withstand surges of up to 10KV and temperature variations from -30 °C to + 50 °C, and offers protection from water and dust penetration of up to level IP66 and from shocks and impacts of up to level IK08. ELIA FL is quick and easy to install thanks to its limited weight and adjustable bracket.

| GENERAL INFORMATION                           |   | OPTIC AND ILLUMINATING FEATURES    |                                   |
|---|---|------------------------------------|-----------------------------------|
| Context                                       | Industry, Logistic, Façade, Sport                     | Optică                             | 60°                               |
| Luminaire                                     | LED luminaire with small, mid and high lumen power    | Unified Glare Rating               | ULOR = 0%                         |
| Aplicație                                     | Intern / Extern                                       | Lumină ieșire (lm)                 | 20400                             |
| Unique digital code (Datamatrix)              | Currently not present                                 | Efficiency (lm/W)                  | 136                               |
| Culoare                                       | Negru   | Culoare Temperatură                | 4000 K                            |
| Tip sursă de lumină                           | LED - Neînlocuibil                                    | Color Rendering Index              | CRI 80                            |
| Puterea sistemului                            | 150 W   | Standard Deviation Colour Matching | SDCM = 5                          |
| LED Lifetime                                  | L80B50 (Tq25°) = 89.000h                              | Photobiological Risk Class         | RG0                               |
| Greutate (Kg)                                 | 4.5   | Standard                           | -                                 |
| Garanție                                      | 5 ani   | ELETRICAL AND LIGHTING FEATURES    |                                   |
| Temperatură de stocare                        | -40° +80°   | Tensiune de alimentare             | 220-240 V                         |
| Operating temperature                         | -30° +50°   | Frecvență nominală (Hz)            | 50 / 60                           |
| MATERIALS                                     |   | Driver                             | Included                          |
| Body  | Aluminiu turnat                                       | Driver failure rate                | F05 = 65.000h Tq 25°C             |
| Ecran   | Flat silked tempered glass 4mm thick with Gewiss logo | Overvoltage protection             | Overvoltage protection 6-4kV      |
| Optic   | With high efficiency optic system                     | Control System                     | DALI                              |
| Gasket  | -   | INSTALLATION AND MAINTENANCE       |                                   |
| Locking Hook                                  | -   | Mouting and installation           | Ceiling - Wall - Floor            |
| External screw                                | Oțel  | Tilt                               | With adjustable bracket assembled |
| Colour  | Powder coating  | Wiring                             | With power cable                  |
| STANDARDS AND APPROVALS                       |   | Prindere                           | -                                 |
| Clasificare                                   | -   | Optic Maintenance                  | Not available                     |
| Dispozitiv cu temperatură la suprafață redusă | -   | LED Maintenance                    | Not available                     |
| Certificare DIN 18032-3                       | -   | Driver Box                         | Integrat                          |
| IPEA  | -   | Suprafață maximă expusă la vânt    | 0,12 m²                           |
| Clasă izolație                                | I   | -                                  | -                                 |
| Clasă de protecție IP                         | IP66  | -                                  | -                                 |
| Cod IK  | IK08  | -                                  | -                                 |
| Glow Test conductori                          | 750 °C  | -                                  | -                                 |

### DIMENSIONAL



### PHOTOMETRIC DISTRIBUTION



### TECHNICAL SYMBOLOGY



IP

IP66

IK

IK08

GWT

750 °C

ELIA FL - Floodlight LED

## STANDARDS/APPROVALS

