

### ELIA DL - Downlight LED

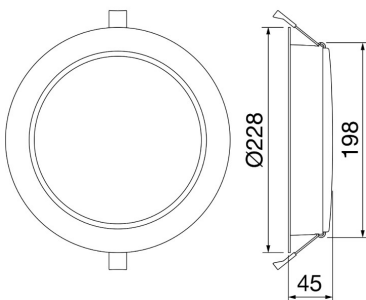


ELIA DL Flush-mounting LED downlight for lighting entrance areas, corridors and shared spaces, crafted from white power-coated die-cast aluminium with an opal diffusing shield. It is available in two power versions, with separate electronic power supply in the On/Off or DALI options provided as part of a kit, colour temperature of 4,000 K (neutral white) and colour rendering index of more than 80 or more than 90. ELIA DL has been designed to withstand temperature variations from -20°C to + 45°C, and offers protection from water and dust penetration of up to level IP54 and from shocks and impacts of up to level IK06. Light and easy to handle, ELIA DL is easy to install thanks to the connector for the electrical wiring and the quick, simple fin-locking mechanism.

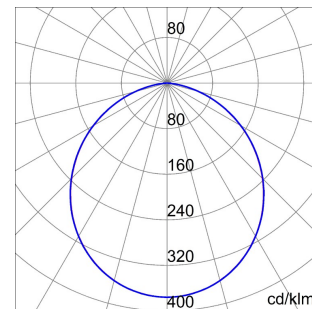
#### GENERAL INFORMATION

Context	Office	Optică	Wide opal
Luminaire	LED luminaire for diffuse light	Unified Glare Rating	-
Aplicație	Internă	Lumină ieșire (lm)	3200
Unique digital code (Datamatrix)	Currently not present	Efficiency (lm/W)	91
Culoare	Alb	Culoare Temperatură	4000 K
Tip sursă de lumină	LED - Neînlocuibil	Color Rendering Index	CRI 90
Puterea sistemului	35 W	Standard Deviation Colour Matching	SDCM = 3
LED Lifetime	L80B50 (Tq25°) = 50.000h	Photobiological Risk Class	RG0
Greutate (Kg)	0.8	Standard	-
Garanție	5 ani	<b>ELETRICAL AND LIGHTING FEATURES</b>	-
Temperatură de stocare	-20° +65°	Tensiune de alimentare	220-240 V
Operating temperature	-20° +45°	Frecvență nominală (Hz)	50 / 60
<b>MATERIALS</b>	-	Driver	Included
Body	Aluminiu turnat	Driver failure rate	F025 = 50.000h Tq 25°C
Ecran	Polycarbonate	Overvoltage protection	Overvoltage protection 1kV
Optic	-	Control System	PORNIT OPRIT
Gasket	-	<b>INSTALLATION AND MAINTENANCE</b>	-
Locking Hook	-	Mouting and installation	Montaj încadrat modular
External screw	-	Tilt	-
Colour	Powder coating	Wiring	With connection terminal on driver
<b>STANDARDS AND APPROVALS</b>	-	Prindere	-
Clasificare	-	Optic Maintenance	Not available
Dispozitiv cu temperatură la suprafață redusă	-	LED Maintenance	Not available
Certificare DIN 18032-3	-	Driver Box	Independent driver unit
IPEA	-	Suprafață maximă expusă la vânt	-
Clasă izolație	II		-
Clasă de protecție IP	IP40 - IP54		-
Cod IK	IK06		-
Glow Test conductori	650 °C		-

#### DIMENSIONAL



#### PHOTOMETRIC DISTRIBUTION



#### TECHNICAL SYMBOLOGY



**IP**

IP40 - IP54

**IK**

IK06

**GWT**

650 °C

#### STANDARDS/APPROVALS

Data, measures, designs and pictures are for information purpose only, last update 19/08/2021. They can be changed at any moment, therefore it is always recommended to read the last updated version published on the website [www.gewiss.com](http://www.gewiss.com). Lumen output and system power are subject to a tolerance of +/- 10%. Unless stated otherwise, the values apply to an ambient temperature of 25°C. Terms of warranty at <https://www.gewiss.com/it/en/company/landingpage/led-warranty>. - 1 of 2



Product Data Sheet  
GWF1510QA940

ELIA DL - Downlight LED

