

Smart [PRO] 2.0



SMART [PRO] 2.0 is a medium power outdoor and indoor LED projector, suitable for lighting sports areas and facilities. It can be installed on the wall, ceiling or ground thanks to the polyester powder coated galvanised steel bracket, with trivalent passivation, equipped with adjustable goniometric scale and supplied in kit. The body is produced in aluminium die casting EN AB 46100, with integrated passive heat sink, powder coated polyester with trivalent passivation. Metal core PCB with CSP LED. Reflector made of metallic HT PC or anodised and polished aluminium. Hardened front glass with 4mm thickness, anti-ageing silicone seals and A2 stainless steel exterior screws. Plastic venting and anti-condensation device. Electrical connection via IP68 connector for 1.5mm² cables. Insulation class 2. Driver integrated in DALI options. Available with nine different types of optics, three types of Colour Temperature (3,000K/4,000K/5,700K) and two different types of Chromatic Yield Index (CRI>70, CRI>80). Designed to withstand surges up to 5KV (RCCB mode) and 10KV (common mode), temperature variations from -30°C to +50°C, water and dust penetration up to IP66 degree of protection and impacts up to IK08 grade.

GENERAL INFORMATION

Context	Sport, Big Areas
Luminaire	LED luminaire with small, mid and high lumen power
Aplicație	Intern / Extern
Unique digital code (Datamatrix)	Currently not present
Culoare	Gri grafit
Tip sursă de lumină	LED - Neînlocuibil
Puterea sistemului	165 W
LED Lifetime	L90B10(Tq25°C)=50.000h; L80B10(Tq25°C)=110.000h
Greutate (Kg)	5.7

OPTIC AND ILLUMINATING FEATURES

Optică	S2 - Symmetric Medium
Unified Glare Rating	G*6 - ULOR = 0
Lumină ieșire (lm)	17600
Efficiency (lm/W)	107
Culoare Temperatură	3000 K
Color Rendering Index	CRI>80
Standard Deviation Colour Matching	SDCM = 3
Photobiological Risk Class	-
Standard	EN60598-1; EN60598-2-5; EN60598-2-24; IEC 62778; IEC62471; EN13201

Garanție	5 ani
Temperatură de stocare	-
Operating temperature	-30 +50 °C
MATERIALS	-
Body	Aluminiu turnat
Ecran	Flat tempered glass 4mm
Optic	Polished anodised aluminum reflector with 99.99% pure aluminum

ELETRICAL AND LIGHTING FEATURES

Tensiune de alimentare	220 - 240 V
Frecvență nominală (Hz)	50 / 60
Driver	Included
Driver failure rate	F10 = 100.000h Tq25°C
Overvoltage protection	DM 6 kV / CM 10 kV
Control System	DALI

Gasket	Anti-aging silicone
Locking Hook	Hexagonal metric screws
External screw	Stainless steel

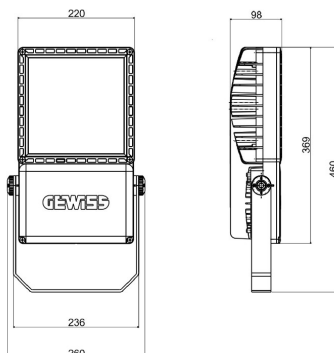
INSTALLATION AND MAINTENANCE

Mouting and installation	High-mast lighting - Wall mounting - Ground mouting
Tilt	Rotation on bracket with integrated goniometer
Wiring	Watertight connector

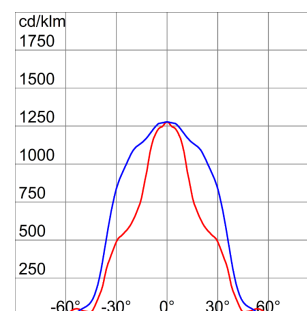
Colour	Polyester powder coated
STANDARDS AND APPROVALS	-
Clasificare	-
Dispozitiv cu temperatură la suprafață redusă	Da
Certificare DIN 18032-3	Da
IPEA	-
Clasă izolație	II
Clasă de protecție IP	IP66
Cod IK	IK08
Glow Test conductori	-

Prindere	Consolă
Optic Maintenance	Not available
LED Maintenance	Not available
Driver Box	Integrat
Suprafață maximă expusă la vânt	0,085 m2

DIMENSIONAL



PHOTOMETRIC DISTRIBUTION



Smart [PRO] 2.0

TECHNICAL SYMBOLOGY



0,085 m2



IP
IP66

IK
IK08

GWT
-

STANDARDS/APPROVALS

