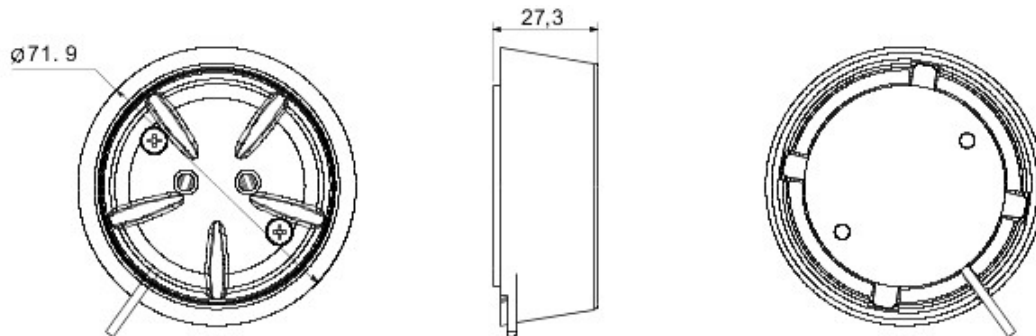




A system of command and control wireless devices based on Zigbee technology that offers innovative solutions for the renovation of buildings, minimizing the structural interventions. Zigbee is a safe and reliable system because the data exchanged are encrypted and every node of the network always ensures reachability among all the devices (mesh network). The Zigbee devices enrich the range of home&building automation solutions by Gewiss and can be managed via App, with smartphone and tablet, through the Smart Gateway.

Categorie	Accessory for flood sensor surface mounting	Culoare	Alb
Standard	2014/53/EU	Clasă de protecție IP	IP20
Temperatură de funcționare	0 ÷ +50 °C	Temperatură de stocare	-20 ÷ +80 °C
Relative humidity (non-condensative)	10 ÷ 95%	Suport suport (mm)	Ø72x25
Dimensions of probe (mm)	Ø50x8	Cable max. length (cm)	85
Electrocod	051A		

DIMENSIONAL



TECHNICAL SYMBOLOGY

IP

IP20

STANDARDS/APPROVALS

