

Instructions for led track lights

CAUTION

1. This product Only be used with a voltage of 220V,With built in light source and matching driver.
2. It will affect lifetime of bulb in case of voltage instability working.
3. You may not operate it when breaking fire prevention regulations.
4. Please cut off the power before maintaining, installation, and changing the lamp.

INSTALLATION(only by an approved installation condition)

1. If the fixture needs to be installed into the ceiling, you should have a careful conditional inspection if it has damp, dirt-endangered situation, even check the material for fireproof ,stress level and so on.
2. It can not use the wooden screw to fix the luminaries into thistle board ,weak aluminum board or less than 10mm wood plate, It must adopt fastening material, And the strengthen unit should connect with keel properly.
3. When the fixture and heated accessories install into the wooden plate , it should be heat treatment with asbestos cloth or pad around the luminaries and heated accessories.
4. Sectional area of internal wiring for interior lighting can not lower than 0.4mm,And it will not lower than 1.0mm for exterior lighting.
5. The metal parts should take the zero connection protection, when fixture is lower 2.4m, voltage is more than 36V.
6. Determine the place of installation and mark the holes to be drilled under professional operator.
7. Please cut off the power before installation, Installation location is strictly prohibited children stay and play.

figure 1

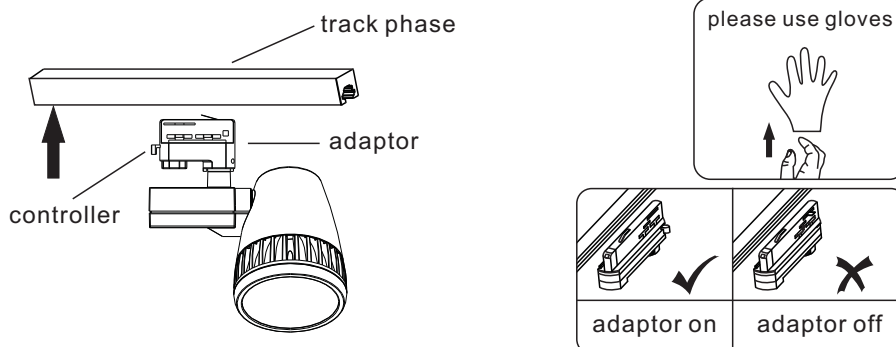


figure 2

