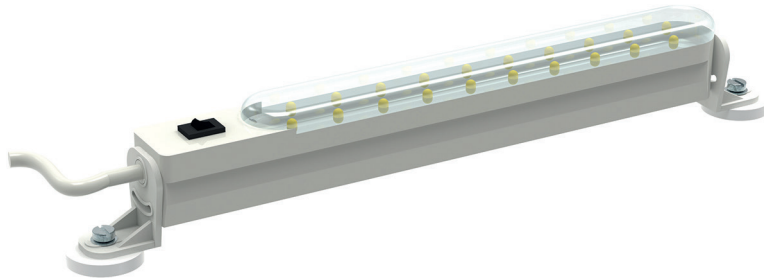


Lighting kit

Cat. No(s): 0 464 91



CONTENTS

Page

1. General characteristics	1
2. Product characteristics	1
3. Technical characteristics	1
4. Dimensions	2
5. Standards and approvals	2

1. GENERAL CHARACTERISTICS

- Lighting kit can be integrated in the whole range of VDI enclosures.
- Lighting kit is designed with LED technology: lower consumption and costs, less impact on the environment and longer life, etc.

2. PRODUCT CHARACTERISTICS

Switch	✓
Socket	-
Motion sensor	-
Swivel	60° ✓
Power cable	✓
Fixing	Magnet

3. TECHNICAL CHARACTERISTICS

3.1 Installation

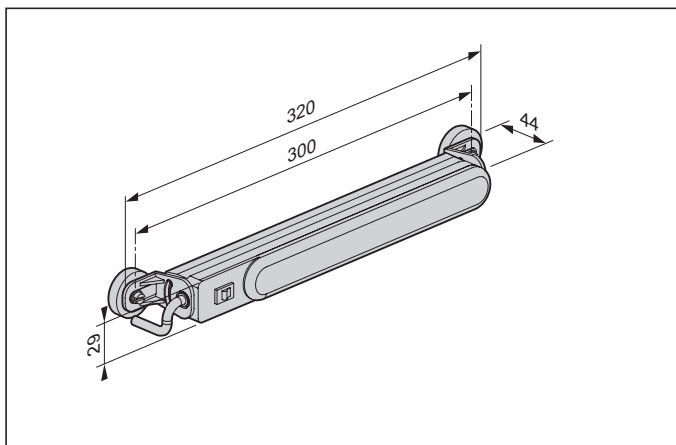
Selection chart

VDI cabinet	Width ≥ 500 mm ✓
VDI enclosure	✓

3.2 Technical data

Colour (RAL)	7035
Material	Housing ABS V0 Cap PC V2
Fire resistance	650°C 30"
Class I/II	II
IP	20
IK	6
Usage temperature (°C)	-30 to +40
Storage temperature (°C)	-40 to +70
Lamp life (hrs)	50000
Lamp type	LED
Lamp holder	-
Lamp power (W)	3
Light intensity (Lux) at 450 mm	610
Light intensity (Lux) at 700 mm	330
Light intensity (Lux) at 1950 mm	60
2P+E socket	No
Sensor (Lighting time in min)	No
Connection	Cable supplied (2 m)
Series connection	No
Voltage (V)	230
Frequency (Hz)	50/60
Dissipated power (W)	5
Fixing	Magnet
Installed position	Horizontal or vertical

4. DIMENSIONS



5. STANDARDS AND APPROVALS

- EN 60598-1.1
- IEC 62 031