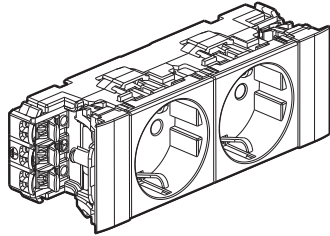
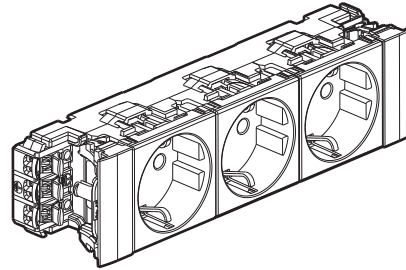


## Mosaic™ Sockets for installation on DLP trunking with direct connection - German standard

Cat. No(s): 0 772 02/03/22/23/32/32L/33/33L/42/43



0 772 02



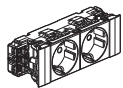
0 772 03

### 1. DESCRIPTION

Sockets with connection at both sides for snap-on mounting on trunking. These sockets incorporate the Soluclip accessory to hold the socket in place and comply with standard EN 50085-2-1 (the IP 40 rating should not be affected by the cut-out in the cover).

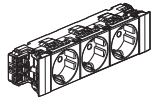
### 2. RANGE

#### 2 x 2P+E socket outlets - 4 modules



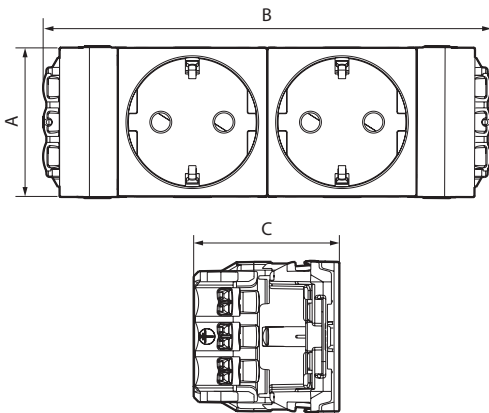
○ White	0 772 02
● Red tamperproof	0 772 22
● Black	0 772 32
● Black Matt	0 772 32L
● Red	0 772 42

#### 3 x 2P+E socket outlets - 6 modules



○ White	0 772 03
● Red tamperproof	0 772 23
● Black	0 772 33
● Black Matt	0 772 33L
● Red	0 772 43

### 3. OVERALL DIMENSIONS (mm)



Catalogue numbers	A	B	C
0 772 02/22/32/32L/42	45	135	44
0 772 03/23/33/33L/43	45	180	44

### 4. CONNECTION

Type of terminals: automatic  
 Number of terminals: 6  
 Terminal capacity: 2 x 2.5 mm<sup>2</sup>  
 Stripping length: 10 mm

### 5. TECHNICAL CHARACTERISTICS

#### ■ 5.1 Mechanical characteristics

Impact tests: IK 04  
 Protection against solid bodies and liquids: IP 40

#### ■ 5.2 Material characteristics

Base: ABS  
 Cover plate: PC  
 Halogen-free  
 UV-resistant

#### Self-extinguishing:

850°C/30 s for insulating parts holding live parts in place  
 650°C/30 s for other parts made of insulating materials.

#### ■ 5.3 Electrical characteristics

Voltage: 250 V~  
 Current: 16 A

#### ■ 5.4 Climate characteristics

Storage and use temperature: -15°C to +70°C

### 6. MAINTENANCE


Surface cleaning with a cloth.  
 Do not use: acetone, tar remover, trichloroethylene.

**Caution:** Always test before using other special cleaning products.


## Sockets for installation on DLP trunking with direct connection - German standard

### 7. ACCESSORIES


#### Tamperproof insert

	● Red Fixes directly onto the 2P+E plug of the appliance to be connected to the tamperproof socket.	0 502 99
-----------------------------------------------------------------------------------	--------------------------------------------------------------------------------------------------------	----------

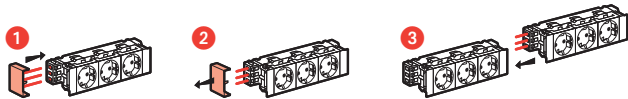
#### Cable end fitting

	Prevents tension on the connection between the wire and socket if the cable is pulled.	0 898 07
-----------------------------------------------------------------------------------	----------------------------------------------------------------------------------------	----------

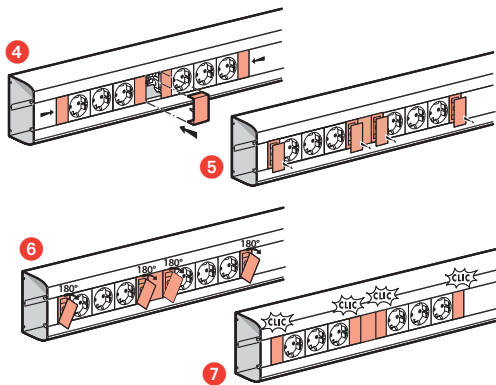
#### Quick tap-off accessory

	For quick, simple tap-off between 2 socket blocks for trunking. Fitted with a white cover.	0 771 06
-----------------------------------------------------------------------------------	-----------------------------------------------------------------------------------------------	----------

#### ■ Operating principle for the tap-off accessory



Simple, intuitive tap-off from 2 socket blocks.  
The tap-off accessory also acts as a finishing piece for the 2 socket blocks.



### 8. STANDARDS AND APPROVALS

Compliance with standards of installation and manufacturing.  
Refer to e-catalogue.