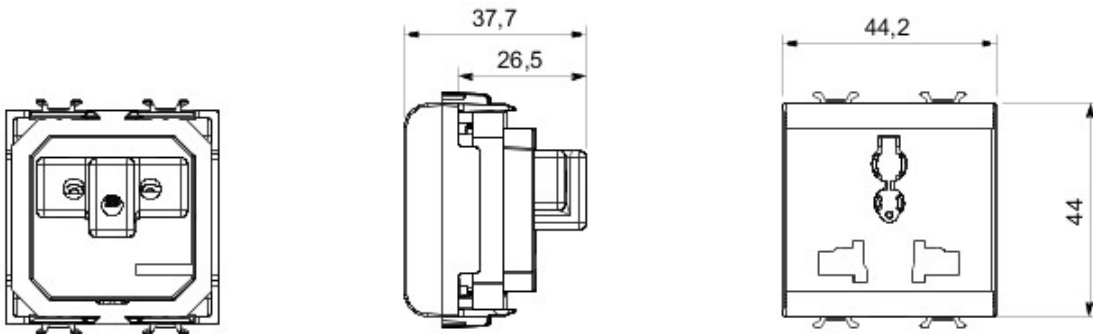




The multistandard energy sockets GW10310, GW12310, GW14310 are in compliance with the safety requirements defined by the International Standard IEC 60884-1. These sockets may not be in compliance with the standard sheets used in the country where they are sold. Hence their usage could be prohibited or however, restricted only for specific applications. The plugs allowed are listed here below: • Europlug standard 2.5A 2P (250V) • Chinese standard 10A 2P+E (250V) • Argentinean/Australian standard 10A 2P+E (250V) • British standard 13A 2P+E (250V) • Italian standard 10A 2P (250V) • USA standard 15A 2P+E (127V) • Indian standard 6A 2P+E (250V) • Danish standard 10A 2P (250V). WARNING: not suitable for 2P+E german and french sockets because they don't offer earth continuity.

Categorie	Priză	Descriere	2P+E - 13A/250 V ac - 15A/127 V ac
Culoare	Titan	Tensiune	250/127 V ac
Standard	Multistandard	Caracteristici	Cu protecție copii
Terminale de cablare	Cu șuruburi	Standard	IEC 60884-1
Rezistență la tensiunea de test	2000 V la 50 Hz pentru 1 minut	Rezistența izolației	> 5 MOhm
Prolonged operation socket (no.of position changes)	10.000 la In 250 V ac cosφ=0,8	Termo-presiune cu bilă	125 °C
Glow Test conductori	850 °C	Strângere terminal la tracțiune cablu	> 50 N
Capacitate strângere terminal cabluri flexibile (mm2)	min. 0,75 - max. 2x4	Capacitate strângere terminal cabluri rigide (mm2)	min. 0,5 - max. 2x2,5
Nr. module Chorus	2	Electrocod	0131

### DIMENSIONAL



### TECHNICAL SYMBOLOGY



### STANDARDS/APPROVALS

