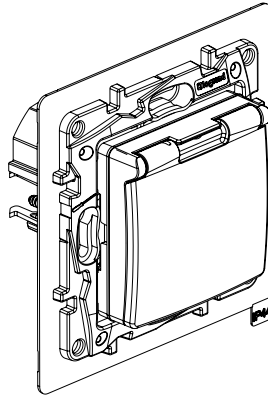


Socket outlets - German Standard - IP44



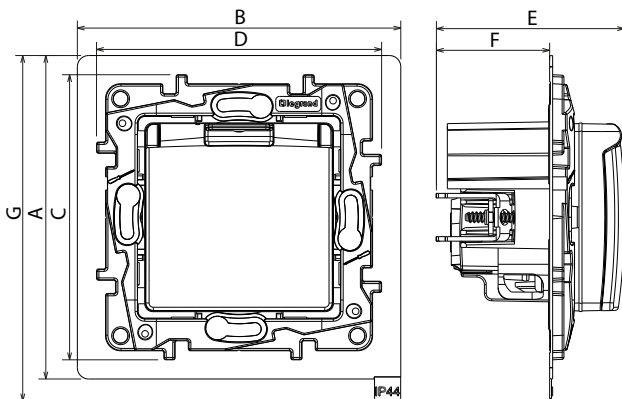
1. USE

Socket outlets with shutters.
Supplied with protection cover.
Flush or surface mounting.
Screw or screw and claw mounting with claws.
To be fitted with one-gang or multi-gang plates.

2. RANGE

Description	White	Ivory
2 P+E socket outlet with shutters IP 44	7 645 31	7 646 31

3. DIMENSIONS (mm)



A	B	C	D	E	F	G
86	86	75.8	75.8	50	30.1	92

4. CONNECTION

Type of terminals: screw
Terminal capacity: 2 x 2.5 mm²
Stripping length: 9 mm
Compatible with flexible or rigid cables.

5. TECHNICAL CHARACTERISTICS

■ 5.1 Mechanical characteristics

Protection against solid bodies and liquids: IP 44
Protection against mechanical impact: IK 04

■ 5.2 Material characteristics

Material: - Box of the mechanism: PC
- Flap: ABS
- Halogen free
- UV resistant
- Claws: steel

Material of the support: - PC
- Halogen free

Self-extinguishing:
+ 850° C / 30 s for insulating parts holding live parts in place.
+ 650° C / 30 s for other parts made of insulating materials.

■ 5.3 Electrical characteristics

Voltage: 250 V~
Current: 16 A
Frequency: 50/60 Hz

■ 5.4 Climatic characteristics

Storage temperature: - 10° C to + 70° C
Use temperature: - 5° C to + 35° C

6. CLEANING

Surface cleaning with a cloth.
Do not use: acetone, tar remover, trichloroethylene.

Maintenance with the following products:
Hexane (EN 60669-1), Methylated spirit, Soapy water, Diluted ammonia, Bleach diluted to 10%, Window-cleaning products.

Caution: A preliminary test should be carried out if other specific cleaning products are to be used.

7. STANDARDS AND APPROVALS

Compliant with installation and manufacturing standards.
See e.catalogue.