

16 A Multistandard switched socket outlets

CONNECTION

Terminal capacity (including earth): 3 x 2.5 mm²
 3 x 4.0 mm²
 2 x 6.0 mm²

Recommended screwdriver size: 5.5 mm flat blade
 Recommended stripping length: 8 mm

TECHNICAL CHARACTERISTICS

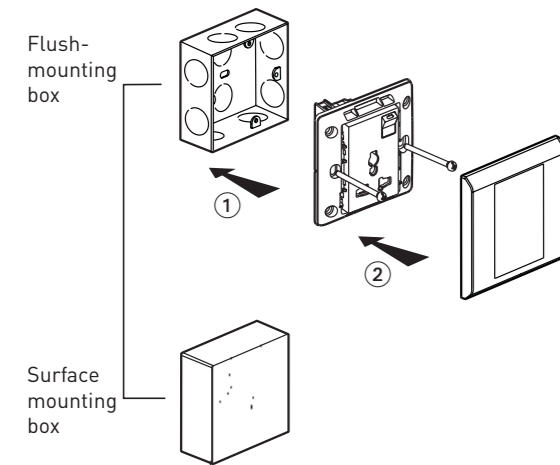
Material characteristics
 Rocker: Polycarbonate (Arteor, Mallia, Belanko)
 Frame: Polycarbonate (Mallia, Belanko)
 Base: Polypropylene (Arteor, Mallia, Belanko)
 Self-extinguishing: 650° C / 30 s

Electrical characteristics
 250 V - 16 A
 127 V - 15 A

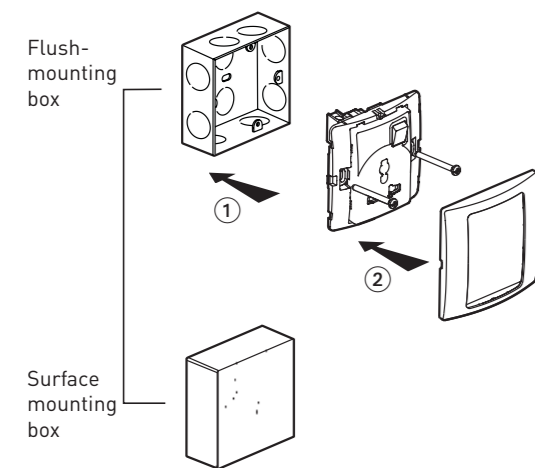
PREPARATION

Surface or flush-mounting: 35 mm depth box.

• Belanko



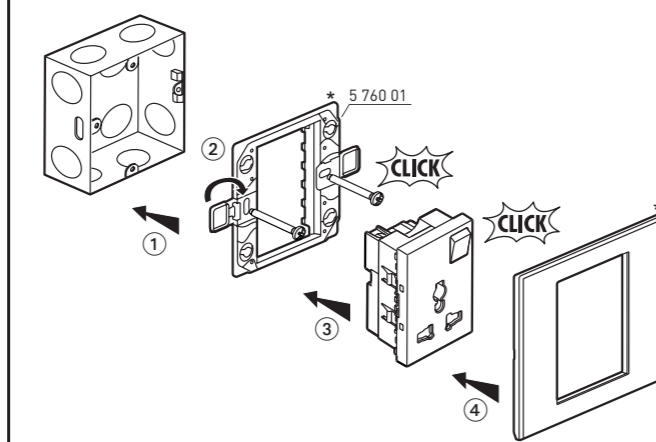
• Mallia - White:



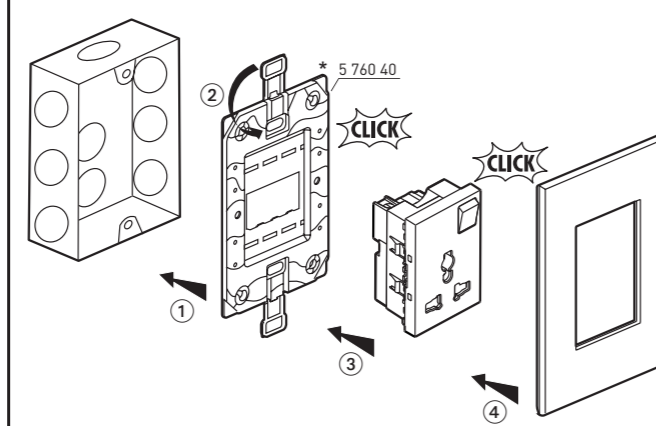
- Silver, Pearl, Dark Silver: plate not supplied.

Flush-mounting: 35 mm depth box.

• Arteor BS box



US box



*Not supplied

Go for safety

16 A Multistandard Switched Socket Outlets



January 2012 - EXB10268

COMPLIANT WITH IEC 60884-1 SAFETY REQUIREMENTS

Safe access to power

The new 16 A Multistandard switched socket outlets comply perfectly with IEC 60884-1 safety and performance requirements. Even after 5000 plug insertions, they'll still be compliant with safety requirements, thus offering long term reliability.



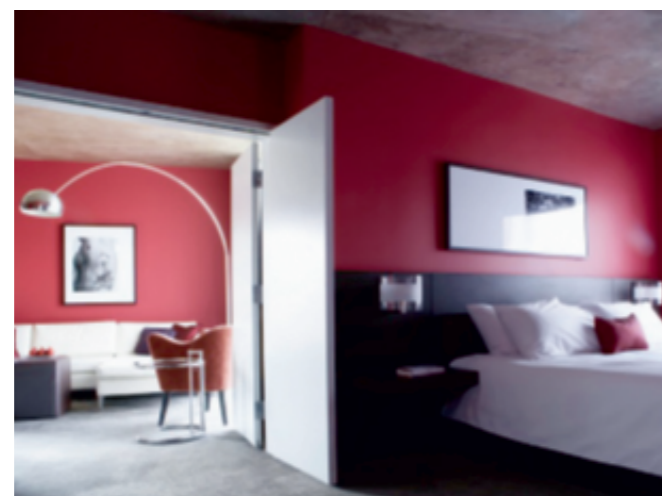
■ Go for quality

The ideal choice for any kind of environment receiving an international public: hotels, offices, meeting rooms, reception halls... Go for quality to provide your customers, visitors or employees with safe and easy access to power.

■ Where safety matters



International company offices



Hotels



Meeting rooms







Reception halls

16 A Multistandard switched socket outlets

Available for the Arteor, Mallia and Belanko ranges.

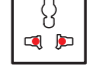
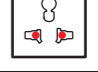
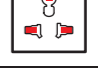
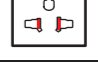
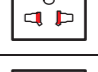
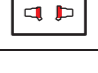
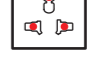
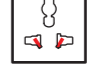
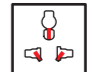
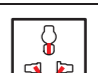
DESCRIPTION

Product	Cat. number	Range	Description
	5 721 35 5 726 35	Arteor	Multistandard switched socket outlet White* Multistandard switched socket outlet Magnesium* * Mechanisms to be equipped with support frames + plates
	2 811 20 2 831 20 2 833 20 2 835 20	Mallia	Multistandard switched socket outlet White Multistandard switched socket outlet Silver* Multistandard switched socket outlet Pearl* Multistandard switched socket outlet Dark Silver* * Silver, Pearl + Dark Silver socket: to be equipped with plate
	6 170 67	Belanko	Multistandard switched socket outlet White
In addition, for greater modularity, an unswitched multistandard socket exists in 2-module Arteor version.			
	5 721 23 5 726 23	Arteor	Multistandard socket outlet White* Multistandard socket outlet Magnesium* * Mechanisms to be equipped with support frames + plates

16 A Multistandard switched socket outlets

The new socket outlets are compatible with the following main standards of plugs.

COMPATIBILITY WITH MAIN PLUG STANDARDS

Plug type	Connection	Rating
2-pin plug (Euro - CEE7/16)		2.5/6 A - 250 V
2-pin plug (Euro - CEE7/17)		10/16 A - 250 V
3-pin plug (BS)		13 A - 250 V
2-pin plug (US type polarised)		15 A - 125 V
2-pin plug (US type)		15 A - 125 V
3-pin plug (US type)		15 A - 125 V
3-pin plug round (India)		6 A - 250 V
3-pin plug round (BS)		5 A - 250 V
2-pin plug (Australia)		10 A - 250 V
3-pin plug (Australia)		10 A - 250 V
3-pin plug (Australia)		15 A - 250 V
3-pin plug (China)		10 A - 250 V