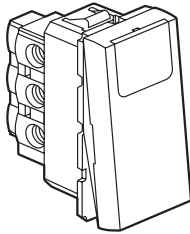
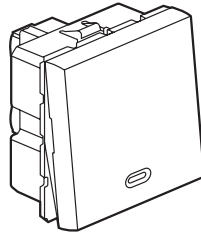


Arteor™ 6 A Push-buttons with indicator

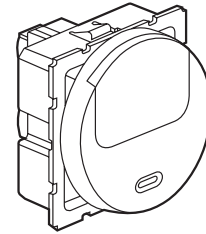
Cat. no(s): 5 700 33 - 5 710 33 - 5 720 02/03/32/33 - 5 725 02/03/32/33
 5 730 46/47/48/49/52/53 - 5 731 52/53



5 720 03 - 5 725 03



5 720 32 - 5 725 32 - 5 730 48/48

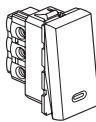
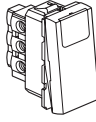
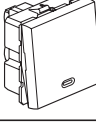

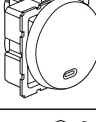
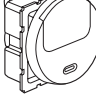


5 730 53 - 5 731 53

1. USE

Général lighting control mechanisms with signalling elements (indicator light or label holder).

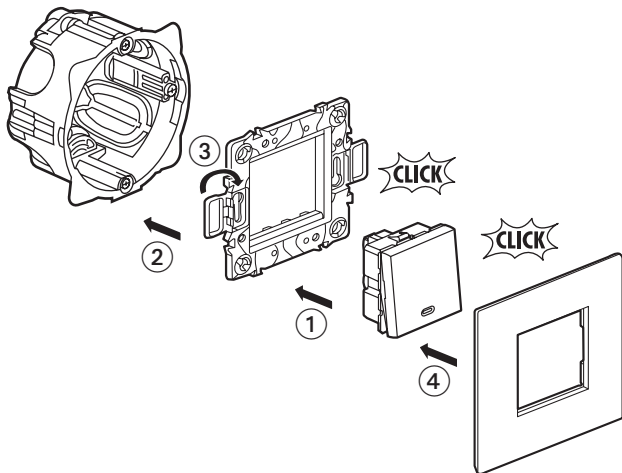
2. RANGE

	Designation	Finishes.				Number of modules	Connection method	Characteristics
		White	Magnesium	Soft alu	Champagne			
	Two-way push-button with indicator (square)	5 720 02	5 725 02	5 730 46	5 730 47	1	with screws	6 A - 250 VAC
	Two-way push-button with label holder (square)	5 720 03	5 725 03	-	-	1	with screws	6 A - 250 VAC
	Two-way push-button with indicator (square)	5 720 32	5 725 32	5 730 48	5 730 49	2	with screws	6 A - 250 VAC
	Two-way push-button with label holder (square)	5 720 33	5 725 33	5 710 33	5 700 33	2	with screws	6 A - 250 VAC
	Two-way push-button with indicator (round)	5 730 52	5 731 52	-	-	2	with screws	6 A - 250 VAC
	Two-way push-button with label holder and indicator (round)	5 730 53	5 731 53	-	-	2	with screws	6 A - 250 VAC

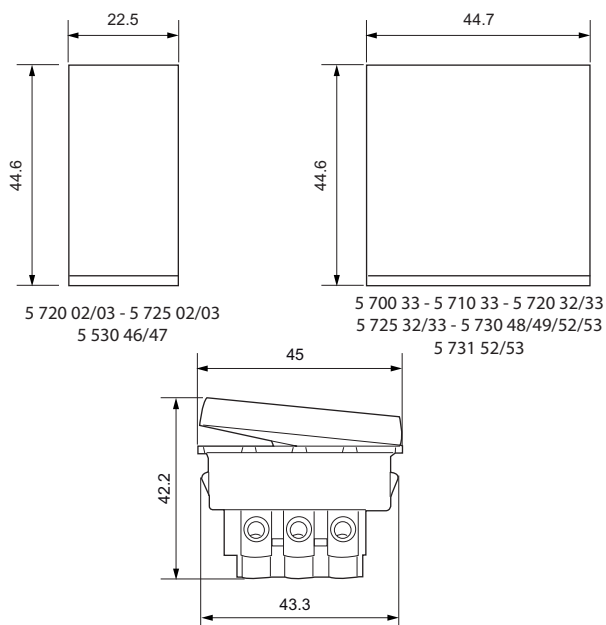
2 A Push-buttons with indicator

3. PREPARATION

The mechanisms can be flush-mounted or surface-mounted.



4. OVERALL DIMENSIONS



5. CONNECTION

Terminal: with screws
Capacity: 2 x 2.5 mm² or 1 x 4 mm²
Stripping: 10 mm
Screwdriver: 4 mm flat-blade up to 5.5 mm

6. OPERATION

Push-button mechanism with integrated locator or label holder.

7. TECHNICAL CHARACTERISTICS

■ 7.1 Mechanical characteristics

Impact tests: IK 04
Protection by solid bodies/liquids: IP 40 (mounted)
IP 20 (alone)

■ 7.2 Material characteristics

Rocker: Polycarbonate
Base: Polycarbonate
Basket: Polypropylene

■ 7.3 Electrical characteristics

Voltage: 250 VAC
Current: 6 A
Consumption of the indicator light: 0.95 mA
Self-extinguishing: 650° C / 30 s

■ 7.4 Climatic characteristics

Storage temperatures: - 10° C to + 70° C
Operating temperatures: - 5° C to + 50° C

8. CLEANING

Surface cleaning with a cloth.

Do not use: acetone, tar remover, trichloroethylene.

Resistance to the following cleaning agents: Hexane (EN 60669-1), Methylated spirits, Soapy water, Diluted ammonia, Diluted pure bleach 10%, Glass cleaning substance, Pre-impregnated wipes.

Caution: Always test before using other special cleaning products.

9. STANDARDS AND APPROVALS

Compliance with installation and manufacturing standards.
Refer to e-catalogue.