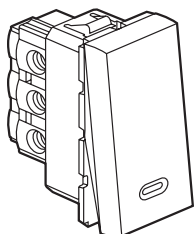


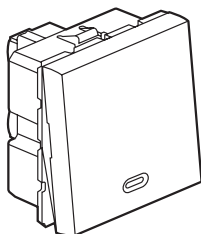
Arteor™

Single pole switches with indicator

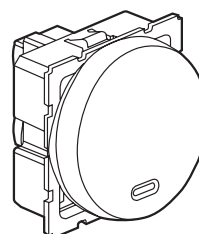
Cat. no(s): 5 720 11/42 - 5 723 82/83/84/85 - 5 725 11/42
 5 730 26/28/71 - 5 731 26/28/71



5 720 11 - 5 723 82/83 - 5 725 11



5 720 42 - 5 723 84/85 - 5 725 42



5 730 71 - 5 731 71

1. USE

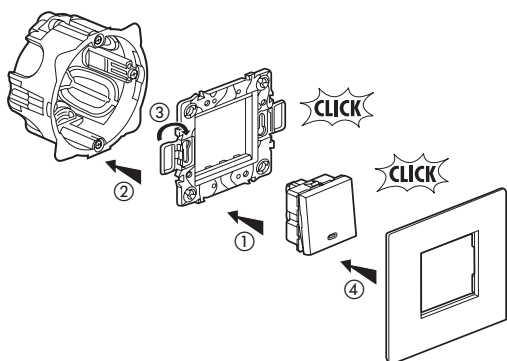
Général lighting control mechanisms with signalling elements (indicator light).

2. RANGE

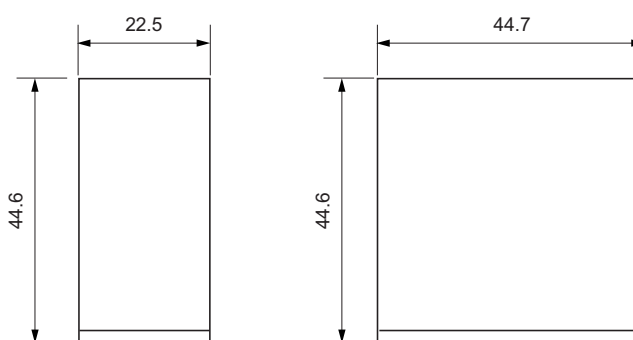
	Designation	Finishes				No. of modules	Connection method	Characteristics
		White	Magnesium	Soft alu	Champagne			
	Single pole switch two way with indicator (square)	5 720 11	5 725 11	5 723 82	5 723 83	1	with screws	20 AX - 250 VAC
	Single pole switch two way with indicator (round left)	5 730 26	5 731 26	-	-	1	with screws	20 AX - 250 VAC
	Single pole switch two way with indicator (round right)	5 730 28	5 731 28	-	-	1	with screws	20 AX - 250 VAC
	Single pole switch two way with indicator (square)	5 720 42	5 725 42	5 723 84	5 723 85	2	with screws	20 AX - 250 VAC
	Single pole switch two way with indicator (round)	5 730 71	5 731 71	-	-	2	with screws	20 AX - 250 VAC

3. PREPARATION

The mechanisms can be flush-mounted or surface-mounted



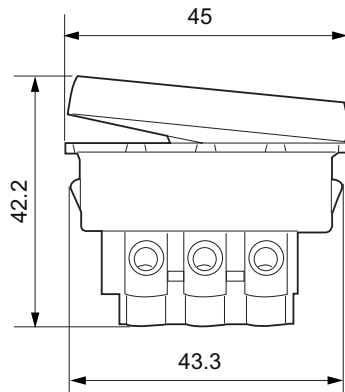
4. OVERALL DIMENSIONS



5 720 11 - 5 723 82/83 - 5 725 11
 5 730 26/28 - 5 731 26/28

5 720 42 - 5 723 84/85
 5 725 42 - 5 730 71 - 5 731 71

4. OVERALL DIMENSIONS



5. CONNECTION

Terminals: with screws
Capacity: 4 x 2.5 mm² or 2 x 4 mm² or 1 x 6 mm²
Stripping: 10 mm
Screwdriver: 4 mm flat-blade up to 5.5 mm

6. OPERATION

Switching mechanism.

7. TECHNICAL CHARACTERISTICS

■ 7.1 Mechanical characteristics

Impact tests: IK 04
Protection by solid bodies / liquids: IP 40 (mounted)
IP 20 (alone)

■ 7.2 Material characteristics

Rocker: Polycarbonate
Base: Polycarbonate
Basket: Polypropylene

■ 7.3 Electrical characteristics

Voltage: 250 VAC
Current: 20 AX
Self-extinguishing: 650° C / 30 s.

■ 7.4 Climatic characteristics

Storage temperature: - 10° C to + 70° C
Operating temperatures: - 5° C to + 50° C

8. CLEANING

Surface cleaning with a cloth
Do not use: acetone, tar remover, trichloroethylene
Resistance to the following cleaning agents: Hexane (EN-60669-1),
Methylated spirits, Soapy water, diluted ammonia, diluted pure bleach 10%,
Glass cleaning substance, Pre-impregnated wipes.

Caution: Always test before using other special cleaning products.

9. STANDARDS AND APPROVALS

Compliance with installation and manufacturing standards.
Refer to e-catalogue.