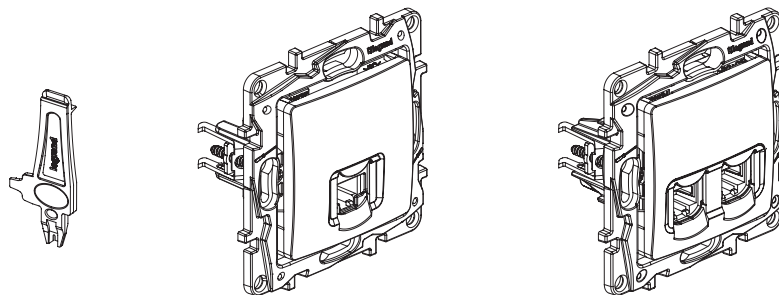


Cat. 5e RJ 45 Linkeo

Cat. No(s): 7 645 79/80 - 7 646 79/80



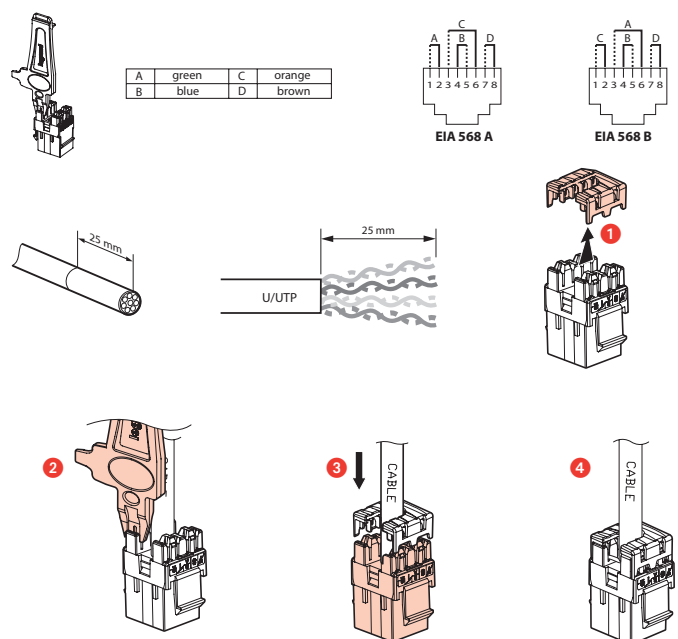
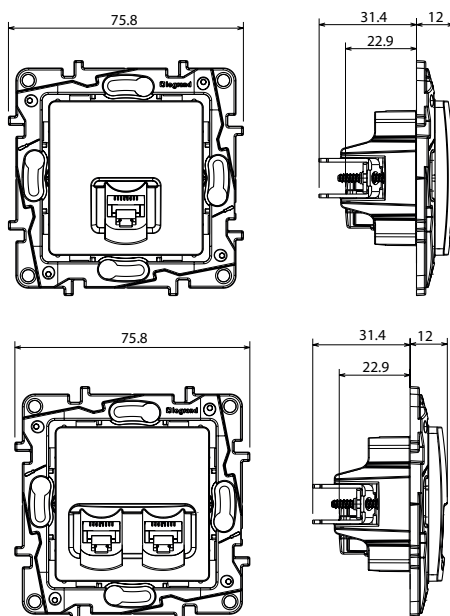
1. USE

RJ 45 Cat. 5 - 8 UTP contacts : Telephone, Data.
Mechanisms to be fitted with finishing plates.
Flush or surface-mounting.
Claw or screw fixing.

2. RANGE

Désignation	White	Ivory
RJ45 Cat 5e UTP socket	7 645 79	7 646 79
2xRJ45 Cat 5e UTP socket	7 645 80	7 646 80

3. OVERALL DIMENSIONS (mm)



4. TECHNICAL CHARACTERISTICS

4.1 Material characteristics

Contacts: gold/nickel, minimum thickness of gold > 1,27 µm
Metal parts: bronze
Polycarbonate

4.2 Electrical characteristics

Breakdown voltage ≥ 1000 V
Contact resistance ≤ 20 mΩ
Insulation resistance ≥ 500 mΩ at 100 V DC

4.3 Mechanical characteristics

Max. number of connections and disconnections: 5 without refreshing the wiring.
Endurance: 2 500 movements (plug insertion/withdrawal)

4.4 Climatic characteristics

Operating temperature: - 10° C to + 65° C
Humid heat cycle 21 days

5. STANDARDS AND APPROVALS

Conforms to standards: ISO 11801 Edition 2
CENELEC EN 50173-1 2007
EIA/TIA 568-C2
ISO/IEC series 60603-7