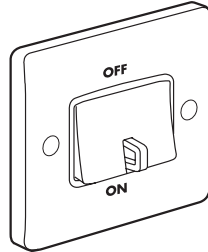


Synergy®
3 pole isolator switch

Cat. No(s) : 7300 09



7300 09

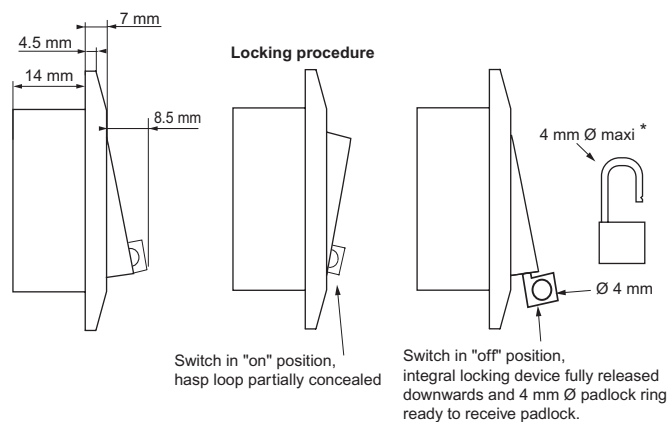
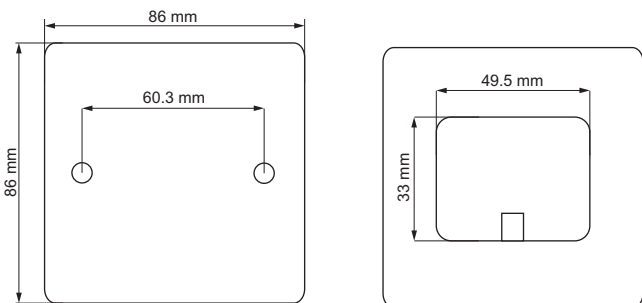
1. APPLICATIONS

Device for the local isolation of equipment having a 250 Vac. L + N supply and an additional permanent "L" feed. Typical examples include extractor fans with "delay-on" feature or boiler 250 Vac control switches. Requires the purchase of a padlock which has a 4 mm maximum diameter hasp.

2. WHITE RANGE

Description	Cat. N°	Characteristics	Weight (g)
3 pole, 1 way	7300 09	10 A, 250 V~	83

3. DIMENSIONS (mm)



* Padlock not included in Cat. N° 7300 09

4. INSTALLATION

Flush mounting :

- All products supplied with 2 x M 3.5 fixing screws and 2 thermoplastic screw covers. It is recommended that redundant top and bottom fixing lugs are bent back to increase room for mechanisms and their attendant wiring.
- 16 mm minimum depth back boxes.
- 25 mm recommended depth back boxes.

Surface mounting : 1 gang 35 mm deep pattress, Cat. N° 7364 06

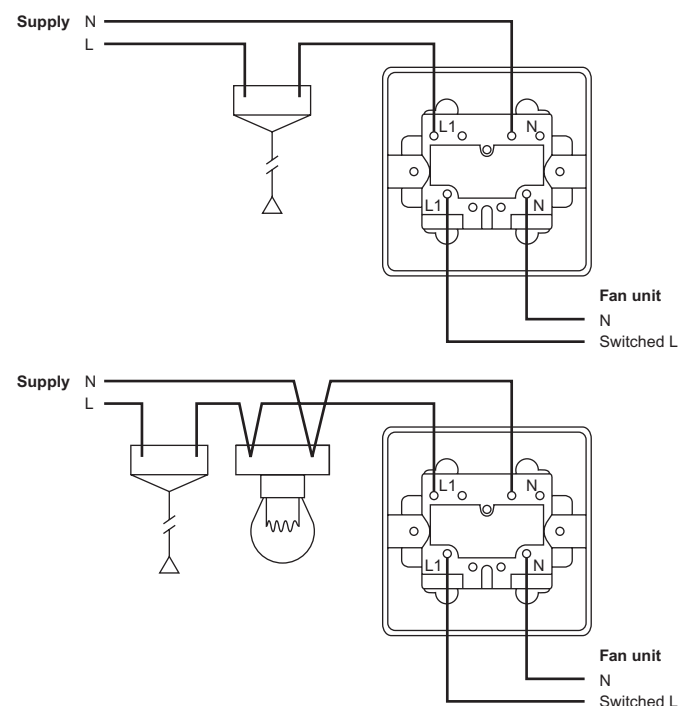
5. CONNECTION

5.1 Terminals

- Terminal capacity 2 x 2.5 mm²
- Recommended screwdriver size : 4 mm flat blade
- Recommended terminal tightening torque : 0.5 Nm
- Recommended strip-back : 11 mm

5.2 Circuit diagrams

Double pole switching for fan without run-on-timer



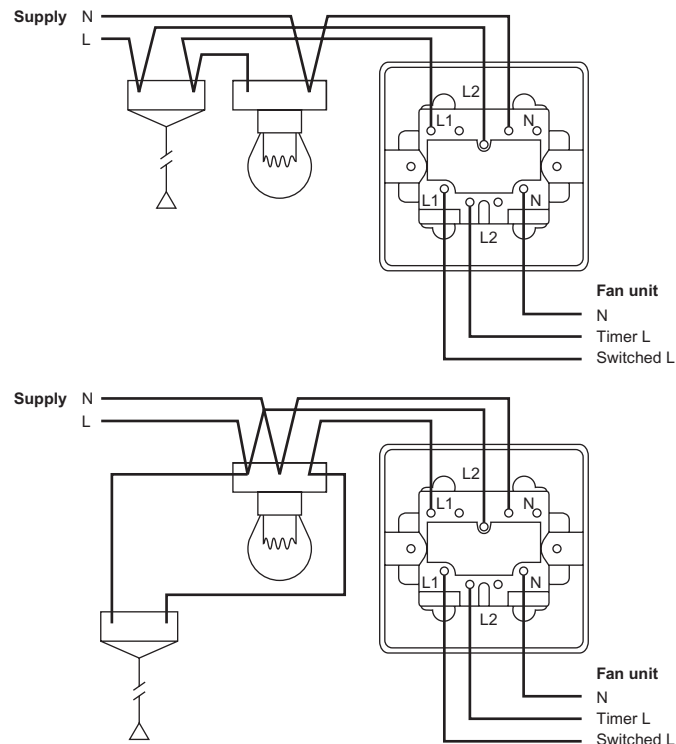
Synergy® 3 pole isolator switch

Cat. No(s) : 7300 09

5. CONNECTION (continued)

5.2 Circuit diagrams

Triple pole switching for fan with run-on-timer



6. GENERAL CHARACTERISTICS

6.1 Mechanical characteristics

- IP rating : IP2X
- IK rating : IK01

6.2 Electrical characteristics

- Contact clearance > 3 mm

6.3 Material properties

- Base : polypropylene, self-extinguishing at 850° C / 30 s
- Rocker : polycarbonate, self-extinguishing at 850° C / 30 s
- Frontplate : thermoset urea
self-extinguishing at 960° C / 30 s
- Fixing screw concealment plugs : polycarbonate as above
- Padlock retaining device : ABS self-extinguishing 650° C / 5 s

6. GENERAL CHARACTERISTICS (continued)

6.4 Resistance to chemicals

Resistance to chemical agents	PC	UREA	ABS
Acetone	n	l	n
Acetic acid 10 %	S	-	S
Hydrochloric acid	S (20%)	n	S (10%)
Citric acid 10 %	S	-	S
Hydrofluoric acid 4 %	S	l	S
Lactic acid 10 %	S	-	S
Nitric acid 10 %	S	-	S
Phosphoric acid 85 %	l	n	S
Sulphuric acid 25 %	S	n	S
Tannic acid	n	-	-
Cleaning agents containing traces of ammonia quaternaires	n	S	S
Ethyl alcohol	S	l	l
Methyl alcohol (methanol)	l	l	l
Ammonia	n	l	S
Aniline	n	l	n
Benzene	n	l	n
Lime	n	l	-
Liquid chlorine	n	-	-
Barium chloride	S	-	S
Chlorinated lime 20 %	S	-	S
Javel water	S	-	S
Seawater	S	-	S
Oil	S	S	S
Milk	S	-	S
Fuel	S	l	-
Petroleum oil, petroleum ether	l	l	l
Caustic soda	n (40%)	S (25%)	S (40%)
Sugar	S	-	-
Toluene	n	-	n
Trichlorethylene	n	l	n
Urine	S	-	-
Wine	S	-	S

S = satisfactory

l = limit

n = not satisfactory

6.5 Functional limitations

- Products may be stored and used at temperatures between - 5° C and + 40° C
- Maximum average ambient temperature in any 24 hour period not to exceed 25° C.

7. MAINTENANCE

The use of abrasives or solvent-based cleaners is strictly forbidden as it could result in irreparable damage to the product's external surfaces. We recommend the use of a soft, slightly damp cloth to remove fingerprints, etc...

8. ACCESSORIES

Spare faceplate screw concealment plugs : Cat. N° 7301 53 (pack of 50)

9. CONFORMITY TO STANDARDS

Conforms to BS EN 60669-2-4.