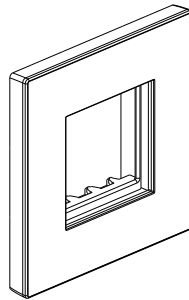


Galion™ Arteor adaptor

Cat. No(s): 2 824 71/71m
K8/500-HK

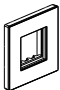


2 824 71/71m
K8/500-HK

1. USE

Carrier plates designed to receive ARTEOR 2 modules mechanisms.
(Supplied with M3.5 screws for BS boxes. Flush mounting or Surface mounting.)

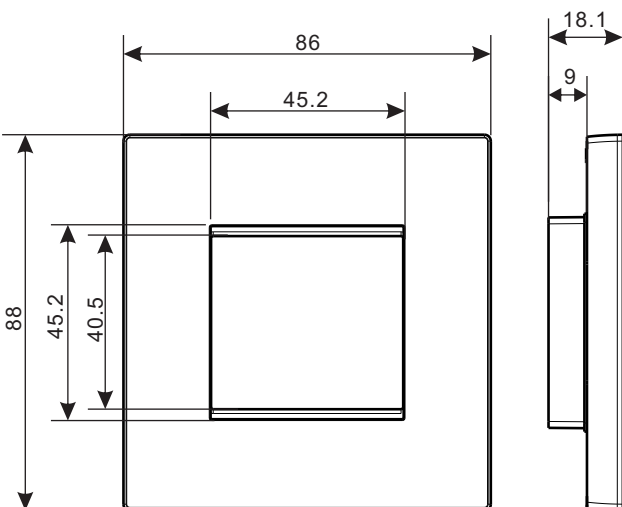
2. RANGE

	Designation	Cat. No.
	Arteor adaptor	2 824 71/71m K8/500-HK

Colours

- front: white/rose golden/champagne/dark silver
- rear: white/rose golden/champagne/dark silver
- X XXX XX white
- X XXX XX-C matt black
- X XXX XX-C1 rose golden
- X XXX XX-C2 champagne
- X XXX XX-C3 dark silver

3. OVERALL DIMENSIONS



Profile Size: 86 × 88 mm
Distance of installation hole: 60.3 mm

4. TECHNICAL CHARACTERISTICS

4.1 Material characteristics

Plate: Polycarbonate
Frame: Polycarbonate
Self-extinguishing:
+ 650° C / 30 s for other parts made of insulating materials
Halogen free, UV resistant.

4.2 Climatic characteristics

Storage temperatures: -10°C to +70°C
Operating temperatures: -5°C to +50°C

4.3 Mechanical characteristics

With an Arteor mechanism fixed in
Impact test: IK04
Protection against liquids: Ip20

5. CLEANING

Surface cleaning with a soft, slightly damp cloth.
Do not use: acetone, tar remover, trichloroethylene

6. CONFORMITY - APPROVALS

Compliance with installation and manufacturing standards.