

# Signalling Auxiliary Contact (CA and SD)

Cat. N°(s) : 4 062 59



CONTENTS	PAGE
1. Description - Use .....	1
2. Range .....	1
3. Overall dimensions .....	1
4. Preparation - Connection .....	1
5. General characteristics .....	3

## 1. DESCRIPTION - USE

- . Auxiliary contact (CA): Changeover switch indicates contacts position (open or closed) of the associated device (RCCB).
- . Fault signalling contact (SD): Changeover switch indicates fault tripping of the associated device (RCCB).

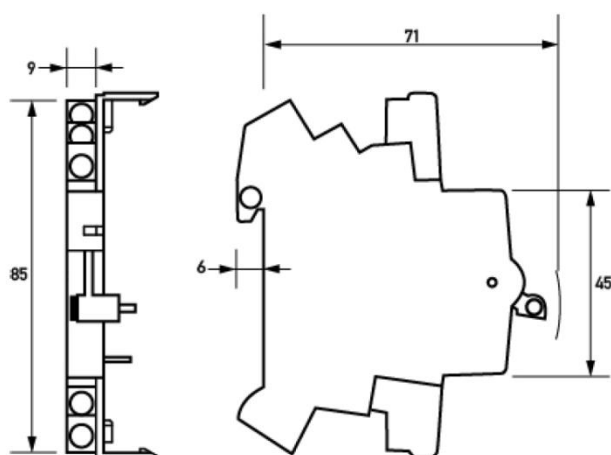
### Symbol :



## 2. RANGE

- . Cat n° 4 062 59 : auxiliary changeover switch (CA) modifiable into a fault signalling changeover switch (SD).

## 3. OVERALL DIMENSIONS



## 4. PREPARATION -CONNECTION

### Fixing :

- . On symmetric rail EN/IEC 60715 or DIN 35 rail, by the device which is associated.

### Operating positions :

- . Vertical, Horizontal, Upside down, On the side



### Terminals :

- . Terminal depth : 8 mm.
- . Stripping length: 8 mm.

### Screwhead :

- . Mixed, slotted and Pozidriv n°1 (UNI7596 type Z1).

### Recommended tightening torque :

- . 0.8 Nm.

### Recommended tools :

- . For the terminals: Pozidriv n°1 or flat screwdriver 5 mm.
- . For the CA/SD selector: flat screwdriver 2.5 mm.

### Conductor type :

	Copper cable	
	Without ferrule	With ferrule
Rigid Cable	1 x 1 mm <sup>2</sup> à 1,5 mm <sup>2</sup>	-
Flexible Cable	1 x 1 mm <sup>2</sup> à 1,5 mm <sup>2</sup>	1 x 1 mm <sup>2</sup> à 1,5 mm <sup>2</sup>

### Manual action of the CA or SD :

- . By the handle of the associated device.

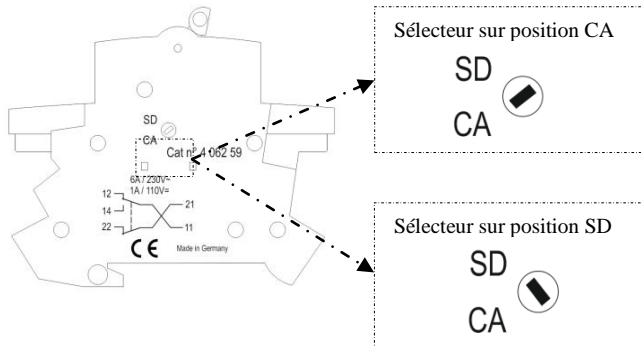
# Signalling Auxiliary Contact (CA and SD)

Cat. N°(s) : 4 062 59

## 4. PREPARATION -CONNECTION (continued)

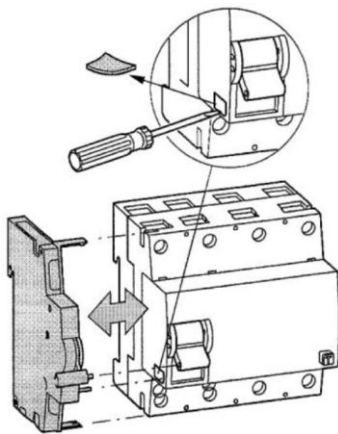
### CA/SD selector:

. The selector allows to turn in a "CA" or "SD" contact. The rotary switch is operable with a 2,5 mm flat screwdriver.

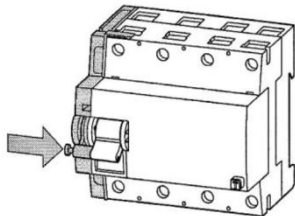


### Assembling :

- . On the left side of Legrand RCCB.
- . Assembling products in OFF position.
- . Clipped without tool by means of plastic clamps on the associated device, after removing the seal on the side of the RCCB.



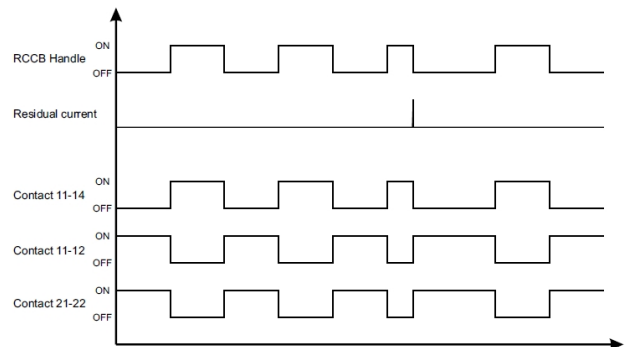
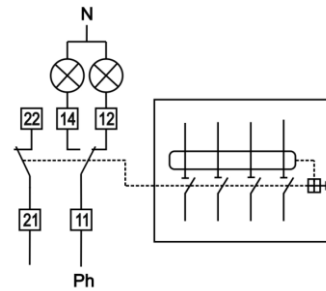
. The switching device of the signalling auxiliaries must fit in the associated product lever with the removable pin.



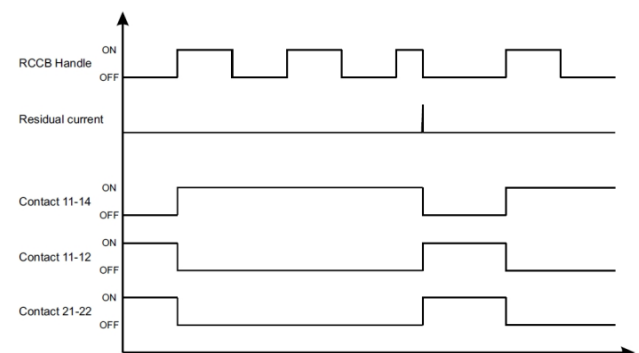
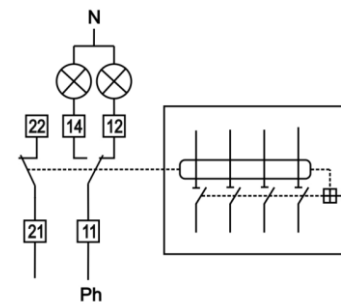
## 4. PREPARATION -CONNECTION (continued)

### Wiring diagrams :

. Selector on CA position.



. Selector on SD position.



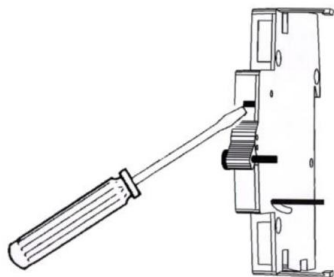
# Signalling Auxiliary Contact (CA and SD)

Cat. N°(s) : 4 062 59

## 5. GENERAL CHARACTERISTICS

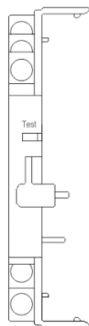
### Test function:

The test function allows switching auxiliary contacts without using the RCCB and so to test the auxiliary function without opening the main circuit. For this purpose, the movable axis of the auxiliary switch is to be out of the differential switch. The test function can be activated with a small screwdriver.



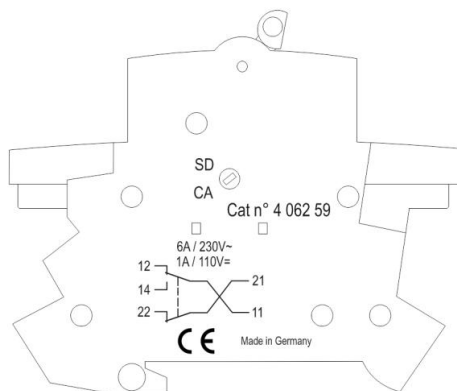
### Front face marking :

. By permanent ink pad printing:



### Side marking:

. By laser technology :



## 5. GENERAL CHARACTERISTICS (continued)

### Rated voltage (Un) :

- . 230V (AC)
- . 110V (DC)

### Rated current (In) :

- . 6A (AC)
- . 1A (DC)

### Average weight per device :

- . 36,1g

### Packaged Volume:

- . 0,20 dm<sup>3</sup>.

### Power dissipated (W) :

- . 0,54 W